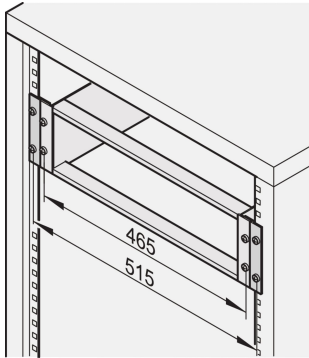


# Etsirack 19" to 21" Adapter Kit



The 19" adaptor allows 19" components to be installed in the metric Etsirack.

## CERTIFICATIONS



## FEATURES

Equal clearances are obtained above and below between the 19" adaptor and the metric height increments

The 19" adaptor allows 19" components to be installed in the metric Etsirack

## SPECIFICATIONS

- Product Type:** Adapter
- Material:** Aluminum
- Finish:** Chrome
- Type:** Etsirack
- Product Family:** EuropacPRO
- Works With:** Subracks

Table 1/1

Catalog Number	Rack Height	Package Quantity
20838-084	3U	2
20838-086	6U	2

## ADDITIONAL PRODUCT DETAILS

---

Assembly dimensions and clearances see drawing.

## WARNING

---

nVent products shall be installed and used only as indicated in nVent's product instruction sheets and training materials. Instruction sheets are available at [www.nvent.com](http://www.nvent.com) and from your nVent customer service representative. Improper installation, misuse, misapplication or other failure to completely follow nVent's instructions and warnings may cause product malfunction, property damage, serious bodily injury and death and/or void your warranty.

### North America

All locations  
+1.763.422.2661  
Chat with us:  
[nvent.com/schroff](http://nvent.com/schroff)

### Europe

Straubenhardt, Germany  
+49.7082.794.0  
Betschdorf, France  
+33.3.88.90.64.90  
Warsaw, Poland  
+48.22.209.98.35  
Assago, Italy  
+39.02.932.7141  
Chat with us:  
[nvent.com/schroff](http://nvent.com/schroff)

### Asia

Shanghai, China  
+86.21.2412.6943  
Qingdao, China  
+86.532.8771.6101  
Singapore  
+65.6768.5800  
Shin-Yokohama, Japan  
+81.45.476.0271  
Chat with us:  
[nvent.com/schroff](http://nvent.com/schroff)

### Middle East & India

Dubai, United Arab  
Emirates  
+971.4.378.1700  
Bangalore, India  
+91.80.6715.2001  
Istanbul, Turkey  
+90.216.250.7374  
Chat with us:  
[nvent.com/schroff](http://nvent.com/schroff)



Our powerful portfolio of brands:

**CADDY ERICO HOFFMAN ILSCO SCHROFF TRACHTE**