

# Side Receptor Disk



## FEATURES

Field replaceable lightning attachment receptors

Resistant to environmental effects

Performance tested beyond IEC@ 61400-24

Superior receptor product life performance

Less than 12 °C (54 °F) temperature rise after strike of 225 kA

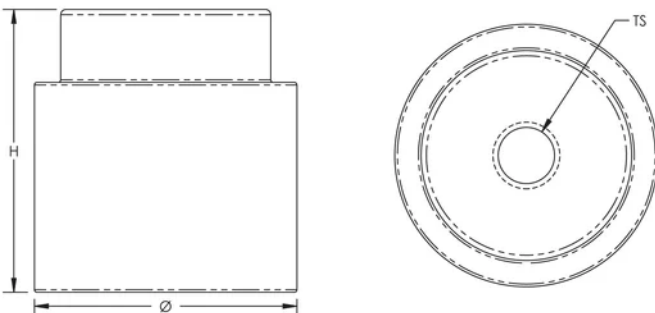
Simple integrated installation

## SPECIFICATIONS

Table 1/1

Catalog Number	Material	Height (H)	Diameter (Ø)	Thread Size (TS)
WT2SR25	Stainless Steel 316 (EN 1.4401)	34 mm	50 mm	1/2" UNC

## DIAGRAMS



## WARNING

---

nVent products shall be installed and used only as indicated in nVent's product instruction sheets and training materials. Instruction sheets are available at [www.nvent.com](http://www.nvent.com) and from your nVent customer service representative. Improper installation, misuse, misapplication or other failure to completely follow nVent's instructions and warnings may cause product malfunction, property damage, serious bodily injury and death and/or void your warranty.

### North America

+1.800.753.9221

Option 1 – Customer Care

Option 2 – Technical

Support

### Europe

Netherlands:

+31 800-0200135

France:

+33 800 901 793

### Europe

Germany:

800 1890272

Other Countries:

+31 13 5835404

### APAC

Shanghai:

+ 86 21 2412 1618/19

Sydney:

+61 2 9751 8500



Our powerful portfolio of brands:

**CADDY**

**ERICO**

**HOFFMAN**

**ILSCO**

**SCHROFF**

**TRACHTE**