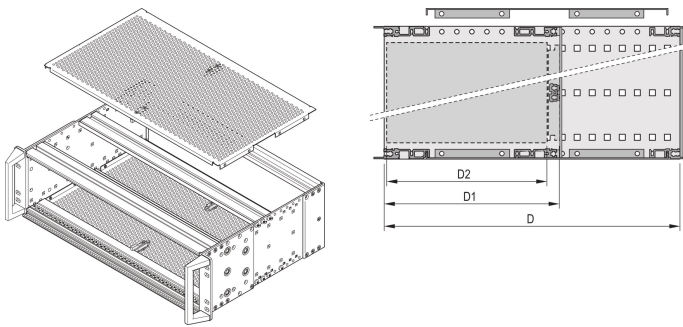


EuropacPRO Cover Plate for Bolting to Rugged Side Panel, 84 HP, 277.75 mm

CATALOG NUMBER

24568-036



A cover plate is used for electromagnetic shielding or as mechanical protection.

CERTIFICATIONS



FEATURES

Perforation degree 58%

PRODUCT ATTRIBUTES

Depth: 277.75mm

Package Quantity: 2

Finish: Passivated

Material: Aluminum

Product Family: EuropacPRO

Product Type: Cover Plate

Rack Width: 84HP

Type: Perforated

Works With: Subracks

Net Weight: 0.45kg

Package Unit: Pair

Torque: 2.1N·m

ADDITIONAL PRODUCT DETAILS

A top cover locking mechanism is optionally available that also fixes the top cover in the front and rear guide rail.

4 stainless steel EMC contact strips per subrack are required for shielding, please order separately.

WARNING

nVent products shall be installed and used only as indicated in nVent's product instruction sheets and training materials. Instruction sheets are available at www.nvent.com and from your nVent customer service representative. Improper installation, misuse, misapplication or other failure to completely follow nVent's instructions and warnings may cause product malfunction, property damage, serious bodily injury and death and/or void your warranty.

North America

All locations
+1.763.422.2661
Chat with us:
nvent.com/schroff

Europe

Straubenhardt, Germany
+49.7082.794.0
Betschdorf, France
+33.3.88.90.64.90
Warsaw, Poland
+48.22.209.98.35
Assago, Italy
+39.02.932.7141
Chat with us:
nvent.com/schroff

Asia

Shanghai, China
+86.21.2412.6943
Qingdao, China
+86.532.8771.6101
Singapore
+65.6768.5800
Shin-Yokohama, Japan
+81.45.476.0271
Chat with us:
nvent.com/schroff

Middle East & India

Dubai, United Arab
Emirates
+971.4.378.1700
Bangalore, India
+91.80.6715.2001
Istanbul, Turkey
+90.216.250.7374
Chat with us:
nvent.com/schroff



Our powerful portfolio of brands:

CADDY ERICO HOFFMAN ILSCO SCHROFF TRACHTE