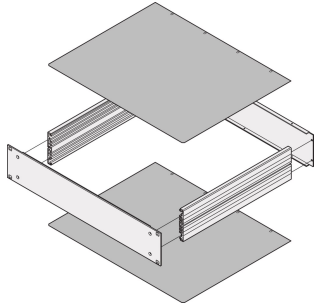


MultipacPRO Cover Plate, Plain



Cover plates plain will close the 19" chassis on top and bottom side. They protect the chassis from parts that could fall into the chassis.

CERTIFICATIONS



FEATURES

Plain cover plates can be used as either top or base plates; inserted into base structure

SPECIFICATIONS

- Material:** Aluminum
- Works With:** Chassis
- Product Type:** Cover Plate
- Product Family:** MultipacPRO
- Finish:** Passivated
- Type:** Plain

Table 1/1

Catalog Number	Depth	Package Quantity
30860-502	280mm	1
30860-503	340mm	1
30860-504	400mm	1
30860-505	460mm	1
30860-501	220mm	1

ADDITIONAL PRODUCT DETAILS

Please order EMC gasketing kit separately.

WARNING

nVent products shall be installed and used only as indicated in nVent's product instruction sheets and training materials. Instruction sheets are available at www.nvent.com and from your nVent customer service representative. Improper installation, misuse, misapplication or other failure to completely follow nVent's instructions and warnings may cause product malfunction, property damage, serious bodily injury and death and/or void your warranty.

North America

All locations
+1.763.422.2661
Chat with us:
nvent.com/schroff

Europe

Straubenhardt, Germany
+49.7082.794.0
Betschdorf, France
+33.3.88.90.64.90
Warsaw, Poland
+48.22.209.98.35
Assago, Italy
+39.02.932.7141
Chat with us:
nvent.com/schroff

Asia

Shanghai, China
+86.21.2412.6943
Qingdao, China
+86.532.8771.6101
Singapore
+65.6768.5800
Shin-Yokohama, Japan
+81.45.476.0271
Chat with us:
nvent.com/schroff

Middle East & India

Dubai, United Arab
Emirates
+971.4.378.1700
Bangalore, India
+91.80.6715.2001
Istanbul, Turkey
+90.216.250.7374
Chat with us:
nvent.com/schroff



Our powerful portfolio of brands:

CADDY ERICO HOFFMAN ILSCO SCHROFF TRACHTE