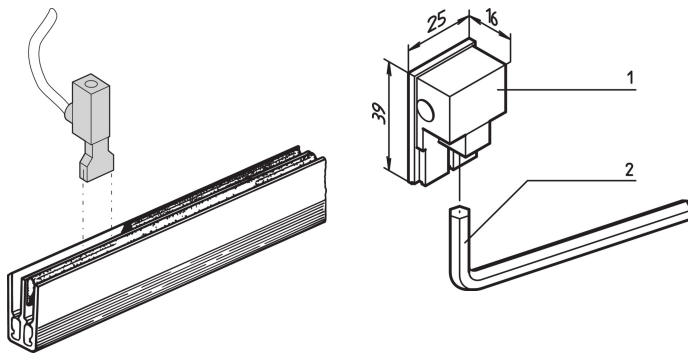


Power Connector 125 A for Busbar 1 ... 4 Pole

Data Solutions

CATALOG NUMBER

60100-575



power connector for busbar achieves internal power distribution designed to reduce server complexity and providing a separable connection that ease assembly, inspection, and troubleshooting.

CERTIFICATIONS



FEATURES

Power Connector for Busbar

PRODUCT ATTRIBUTES

Package Quantity: 1

Material: Brass; Copper; Polyamide

Product Type: Connector

Type: Power Connector

Net Weight: 0.022kg

ADDITIONAL PRODUCT DETAILS

Power connector requires two FASTON slots.

WARNING

nVent products shall be installed and used only as indicated in nVent's product instruction sheets and training materials. Instruction sheets are available at www.nvent.com and from your nVent customer service representative. Improper installation, misuse, misapplication or other failure to completely follow nVent's instructions and warnings may cause product malfunction, property damage, serious bodily injury and death and/or void your warranty.



Our powerful portfolio of brands:

CADDY ERICO HOFFMAN ILSCO SCHROFF TRACHTE