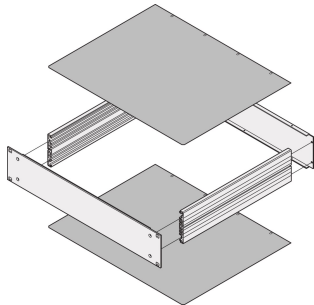


# MultipacPRO Cover Plate, Plain



Cover plates plain will close the 19" chassis on top and bottom side. They protect the chassis from parts that could fall into the chassis.

## CERTIFICATIONS



## FEATURES

Plain cover plates can be used as either top or base plates; inserted into base structure

## SPECIFICATIONS

<b>Material:</b>	Aluminum
<b>Works With:</b>	Chassis
<b>Product Type:</b>	Cover Plate
<b>Product Family:</b>	MultipacPRO
<b>Finish:</b>	Passivated
<b>Type:</b>	Plain

Table 1/1

Catalog Number	Depth	Package Quantity
30860-502	280mm	1
30860-503	340mm	1
30860-504	400mm	1
30860-505	460mm	1
30860-501	220mm	1

## ADDITIONAL PRODUCT DETAILS

---

Please order EMC gasketing kit separately.

## WARNING

---

nVent products shall be installed and used only as indicated in nVent's product instruction sheets and training materials. Instruction sheets are available at [www.nvent.com](http://www.nvent.com) and from your nVent customer service representative. Improper installation, misuse, misapplication or other failure to completely follow nVent's instructions and warnings may cause product malfunction, property damage, serious bodily injury and death and/or void your warranty.

### North America

All locations  
+1.763.422.2661  
Chat with us:  
[nvent.com/schroff](http://nvent.com/schroff)

### Europe

Straubenhardt, Germany  
+49.7082.794.0  
Betschdorf, France  
+33.3.88.90.64.90  
Warsaw, Poland  
+48.22.209.98.35  
Assago, Italy  
+39.02.932.7141  
Chat with us:  
[nvent.com/schroff](http://nvent.com/schroff)

### Asia

Shanghai, China  
+86.21.2412.6943  
Qingdao, China  
+86.532.8771.6101  
Singapore  
+65.6768.5800  
Shin-Yokohama, Japan  
+81.45.476.0271  
Chat with us:  
[nvent.com/schroff](http://nvent.com/schroff)

### Middle East & India

Dubai, United Arab  
Emirates  
+971.4.378.1700  
Bangalore, India  
+91.80.6715.2001  
Istanbul, Turkey  
+90.216.250.7374  
Chat with us:  
[nvent.com/schroff](http://nvent.com/schroff)



Our powerful portfolio of brands:

**CADDY ERICO HOFFMAN ILSCO SCHROFF TRACHTE**