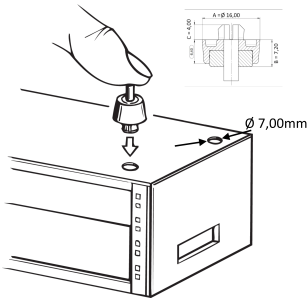


Plastic Foot for Cases



The plastic feet can be mounted on the bottom cover of a case or chassis. Available in different heights.

CERTIFICATIONS



FEATURES

Plastic foot

Easy assembly. Foot is inserted into mounting hole and then fixed by pressing in the expanding pin

SPECIFICATIONS

- Product Family:** RatiopacPRO; RatiopacPRO AIR; CompacPRO; PropacPRO; Inpac
- Type:** Foot
- Product Type:** Foot
- Material:** Polycarbonate

Table 1/1

Catalog Number	Works With	Package Quantity	Flammability Rating
60224-011	Cases	1	UL® 94V-0
60224-009	Cases	1	UL® 94V-0
24820-004	Cases	4	UL® 94V-0

WARNING

nVent products shall be installed and used only as indicated in nVent's product instruction sheets and training materials. Instruction sheets are available at www.nvent.com and from your nVent customer service representative. Improper installation, misuse, misapplication or other failure to completely follow nVent's instructions and warnings may cause product malfunction, property damage, serious bodily injury and death and/or void your warranty.

North America

All locations
+1.763.422.2661
Chat with us:
nvent.com/schroff

Europe

Straubenhardt, Germany
+49.7082.794.0
Betschdorf, France
+33.3.88.90.64.90
Warsaw, Poland
+48.22.209.98.35
Assago, Italy
+39.02.932.7141
Chat with us:
nvent.com/schroff

Asia

Shanghai, China
+86.21.2412.6943
Qingdao, China
+86.532.8771.6101
Singapore
+65.6768.5800
Shin-Yokohama, Japan
+81.45.476.0271
Chat with us:
nvent.com/schroff

Middle East & India

Dubai, United Arab Emirates
+971.4.378.1700
Bangalore, India
+91.80.6715.2001
Istanbul, Turkey
+90.216.250.7374
Chat with us:
nvent.com/schroff



Our powerful portfolio of brands:

CADDY ERICO HOFFMAN ILSCO SCHROFF TRACHTE