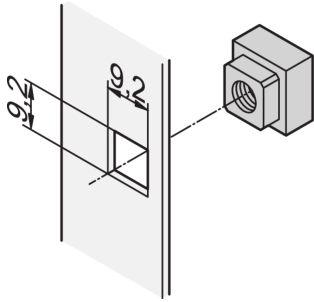


# Square Nut Kit

## Data Solutions



Square nuts have higher contact surface and dont get rounded off unlike hex nuts. For precise, anti-twist secure mounting without clearance, use square nuts.

### CERTIFICATIONS



### FEATURES

For precise, anti-twist secure mounting without clearance

For standard grounding use a square grounding nut and washer on at least one attachment point

### SPECIFICATIONS

- Product Type:** Nut
- Material:** Steel
- Finish:** Zinc Plated

Table 1/1

Catalog Number	Package Quantity	Type
21101-172	50	Square Nut, Grounding
21101-171	50	Square Nut, Grounding
21100-558	50	Square Nut
21101-007	100	Square Nut

## WARNING

---

nVent products shall be installed and used only as indicated in nVent's product instruction sheets and training materials. Instruction sheets are available at [www.nvent.com](http://www.nvent.com) and from your nVent customer service representative. Improper installation, misuse, misapplication or other failure to completely follow nVent's instructions and warnings may cause product malfunction, property damage, serious bodily injury and death and/or void your warranty.



Our powerful portfolio of brands:

**CADDY   ERICO   HOFFMAN   ILSCO   SCHROFF   TRACHTE**