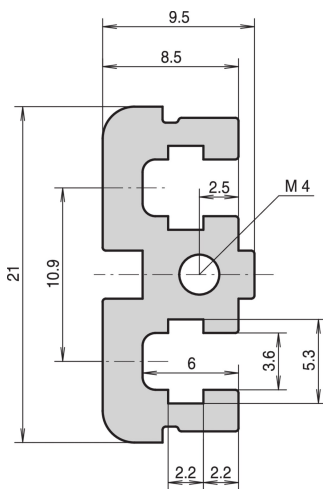
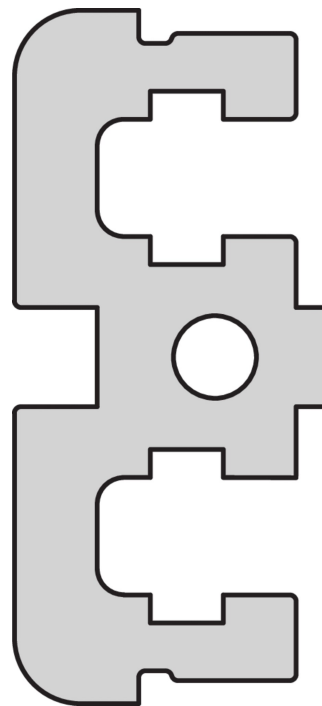
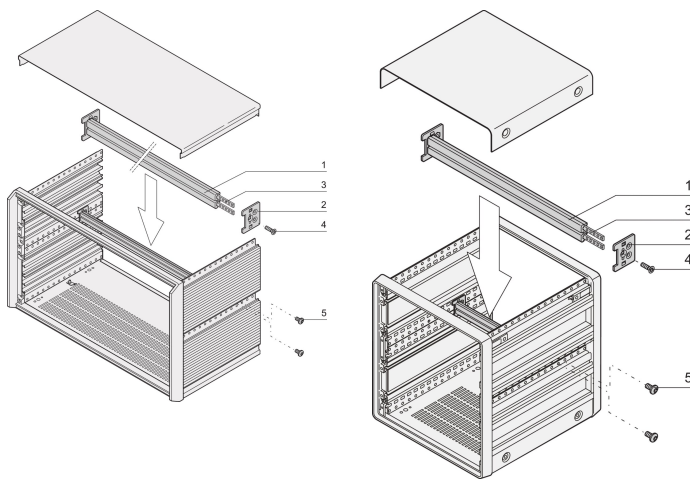


PropacPRO Horizontal Rail Center Type ST-C, 84 HP

CATALOG NUMBER

24575-474



Horizontal rail, centre, type ST-C.

CERTIFICATIONS



FEATURES

For 6 U CompacPRO case, to split into 2 x 3 U

Aluminum extrusion, anodized finish, conductive contact surface, with HP markings

For indirect backplane mounting (with insulation strip)

PRODUCT ATTRIBUTES

Product Type: Horizontal Rail

Product Family: PropacPRO

Type: Type ST-C

Rack Width: 84HP

Length: 431.8mm

Package Quantity: 1

Finish: Anodized

Material: Aluminum

Net Weight: 0.2kg

WARNING

nVent products shall be installed and used only as indicated in nVent's product instruction sheets and training materials. Instruction sheets are available at www.nvent.com and from your nVent customer service representative. Improper installation, misuse, misapplication or other failure to completely follow nVent's instructions and warnings may cause product malfunction, property damage, serious bodily injury and death and/or void your warranty.

North America

All locations
+1.763.422.2661
Chat with us:
nvent.com/schroff

Europe

Straubenhardt, Germany
+49.7082.794.0
Betschdorf, France
+33.3.88.90.64.90
Warsaw, Poland
+48.22.209.98.35
Assago, Italy
+39.02.932.7141
Chat with us:
nvent.com/schroff

Asia

Shanghai, China
+86.21.2412.6943
Qingdao, China
+86.532.8771.6101
Singapore
+65.6768.5800
Shin-Yokohama, Japan
+81.45.476.0271
Chat with us:
nvent.com/schroff

Middle East & India

Dubai, United Arab
Emirates
+971.4.378.1700
Bangalore, India
+91.80.6715.2001
Istanbul, Turkey
+90.216.250.7374
Chat with us:
nvent.com/schroff



Our powerful portfolio of brands:

CADDY ERICO HOFFMAN ILSCO SCHROFF TRACHTE