

Branch Line Restraint Structure Attachment to Threaded Hole

Data Solutions



CERTIFICATIONS



FEATURES

Swivel barrel nut accepts 3/8" or 1/2" (M10 or M12) threaded rod

Attaches to concrete anchors or structural attachments with female threads

Can be used for bolting through steel

SPECIFICATIONS

Table 1/2

Catalog Number	Article Number	Material	Finish	Rod Size (RS)	Height (H)	Length (L)
CSBBRS3MEG	402241	Steel	Electrogalvanized	10, 12	28.2mm	40.4mm

Table 2/2

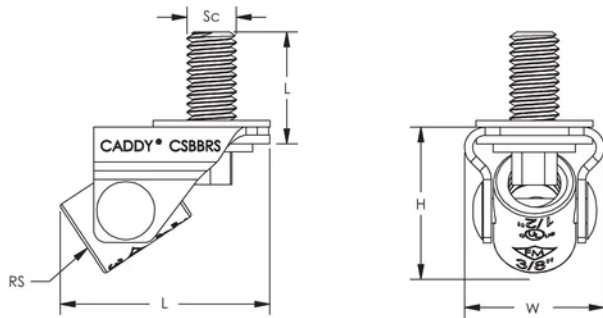
Catalog Number	Article Number	Width (W)	Screw Diameter (Sc)	Screw Length (L)
----------------	----------------	-----------	---------------------	------------------

CSBBRS3MEG	402241	26.9mm	10	19mm
------------	--------	--------	----	------

ADDITIONAL PRODUCT DETAILS

Branch line structural attachments are for restraint only and not for the hanging of fire sprinkler piping.

DIAGRAMS



WARNING

nVent products shall be installed and used only as indicated in nVent's product instruction sheets and training materials. Instruction sheets are available at www.nvent.com and from your nVent customer service representative. Improper installation, misuse, misapplication or other failure to completely follow nVent's instructions and warnings may cause product malfunction, property damage, serious bodily injury and death and/or void your warranty.



Our powerful portfolio of brands:

CADDY ERICO HOFFMAN ILSCO SCHROFF TRACHTE