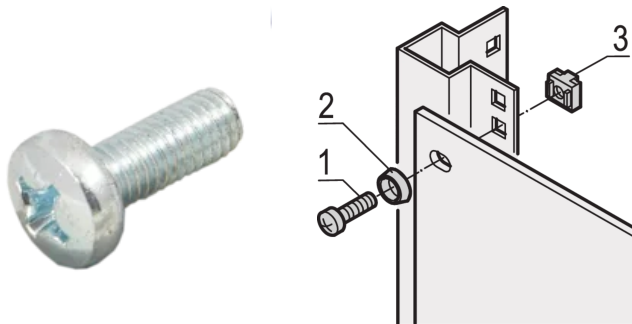


# Panhead Screw, Phillips, M6 x 16, Steel Zinc-Plated, 50 pieces

## Data Solutions

### CATALOG NUMBER

21100-021



Panhead Screw, Pozidrive.

### CERTIFICATIONS



### FEATURES

Panhead screw, pozidrive

### PRODUCT ATTRIBUTES

Diameter: 6mm

Length: 16mm

Finish: Zinc Plated

Package Quantity: 50

Thread Size: M6

Material: Steel

Product Family: EuropacPRO; RatiopacPRO; RatiopacPRO AIR; CompacPRO; PropacPRO; Comptec; Inpac; MultipacPRO

Product Type: Screw

Type: Panhead Screw

Works With: Front Panels; Eurorack; Novastar; Varistar; Varistar CP

Gross Weight: 0.287kg

## **WARNING**

---

nVent products shall be installed and used only as indicated in nVent's product instruction sheets and training materials. Instruction sheets are available at [www.nvent.com](http://www.nvent.com) and from your nVent customer service representative. Improper installation, misuse, misapplication or other failure to completely follow nVent's instructions and warnings may cause product malfunction, property damage, serious bodily injury and death and/or void your warranty.



Our powerful portfolio of brands:

**CADDY ERICO HOFFMAN ILSCO SCHROFF TRACHTE**