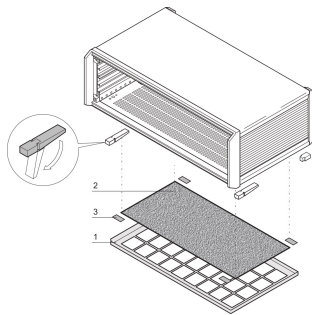


PropacPRO Air Filter, 42 HP

CATALOG NUMBER

24576-094



The air filter filters the intake air and reduces the quantity of dust or other particles.

CERTIFICATIONS



FEATURES

Assembled without tools

Filter replacement without opening the case

IP protection class is maintained

PRODUCT ATTRIBUTES

Rack Width: 42HP

Finish: Powder Coated

Material: Aluminum

Product Family: PropacPRO

Product Type: Filter

Type: Air Filter

Works With: Cases

Net Weight: 0.096kg

ADDITIONAL PRODUCT DETAILS

For optimized air flow plastic tip-up feet should be assembled on the case, please order the tip-up feet separately.

WARNING

nVent products shall be installed and used only as indicated in nVent's product instruction sheets and training materials. Instruction sheets are available at www.nvent.com and from your nVent customer service representative. Improper installation, misuse, misapplication or other failure to completely follow nVent's instructions and warnings may cause product malfunction, property damage, serious bodily injury and death and/or void your warranty.

North America

All locations
+1.763.422.2661
Chat with us:
nvent.com/schroff

Europe

Straubenhardt, Germany
+49.7082.794.0
Betschdorf, France
+33.3.88.90.64.90
Warsaw, Poland
+48.22.209.98.35
Assago, Italy
+39.02.932.7141
Chat with us:
nvent.com/schroff

Asia

Shanghai, China
+86.21.2412.6943
Qingdao, China
+86.532.8771.6101
Singapore
+65.6768.5800
Shin-Yokohama, Japan
+81.45.476.0271
Chat with us:
nvent.com/schroff

Middle East & India

Dubai, United Arab Emirates
+971.4.378.1700
Bangalore, India
+91.80.6715.2001
Istanbul, Turkey
+90.216.250.7374
Chat with us:
nvent.com/schroff



Our powerful portfolio of brands:

CADDY ERICO HOFFMAN ILSCO SCHROFF TRACHTE