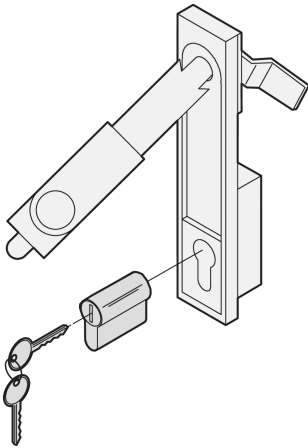


DIN Cylinder Kit, Semi-Profile Cylinder Different Locking

CATALOG NUMBER

25127-996



Profile cylinder is the most common form of the security door locks used today and a form of the locking cylinder. Semi-profile cylinders are generally flush with respect to the door and are easy to integrate into locking systems.

CERTIFICATIONS



FEATURES

Locking insert for lever handle

PRODUCT ATTRIBUTES

Product Type: Lock Insert

Product Family: Varistar CP

Net Weight: 0.13kg

Package Quantity: 1

ADDITIONAL PRODUCT DETAILS

ASSA, KABA and other locking on request.

WARNING

nVent products shall be installed and used only as indicated in nVent's product instruction sheets and training materials. Instruction sheets are available at www.nvent.com and from your nVent customer service representative. Improper installation, misuse, misapplication or other failure to completely follow nVent's instructions and warnings may cause product malfunction, property damage, serious bodily injury and death and/or void your warranty.

North America

All locations
+1.763.422.2661
Chat with us:
nvent.com/schroff

Europe

Straubenhardt, Germany
+49.7082.794.0
Betschdorf, France
+33.3.88.90.64.90
Warsaw, Poland
+48.22.209.98.35
Assago, Italy
+39.02.932.7141
Chat with us:
nvent.com/schroff

Asia

Shanghai, China
+86.21.2412.6943
Qingdao, China
+86.532.8771.6101
Singapore
+65.6768.5800
Shin-Yokohama, Japan
+81.45.476.0271
Chat with us:
nvent.com/schroff

Middle East & India

Dubai, United Arab
Emirates
+971.4.378.1700
Bangalore, India
+91.80.6715.2001
Istanbul, Turkey
+90.216.250.7374
Chat with us:
nvent.com/schroff



Our powerful portfolio of brands:

CADDY ERICO HOFFMAN ILSCO SCHROFF TRACHTE