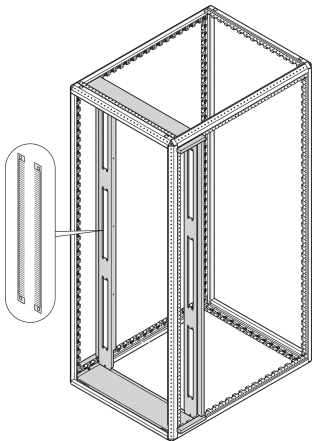


Varistar CP | Aisle Containment Brush Strip for 2 U 19" Cutouts

CATALOG NUMBER

60130-850



Brush strip to close 2 U by 19" cutouts for air management blanking panes. Square hole mounting with cage nuts.

CERTIFICATIONS



FEATURES

Brush strip to close cutouts

For 2 U air management blanking panels

PRODUCT ATTRIBUTES

Product Type: Brush Strip

Product Family: Varistar CP

Works With: Aisle Containment; Varistar CP

Material: PVC; Polyamide

Color: Black

Rack Height: 2U

Height: 90mm

Width: 450mm

Net Weight: 0.35kg

Package Quantity: 1

WARNING

nVent products shall be installed and used only as indicated in nVent's product instruction sheets and training materials. Instruction sheets are available at www.nvent.com and from your nVent customer service representative. Improper installation, misuse, misapplication or other failure to completely follow nVent's instructions and warnings may cause product malfunction, property damage, serious bodily injury and death and/or void your warranty.

North America

All locations
+1.763.422.2661
Chat with us:
nvent.com/schroff

Europe

Straubenhardt, Germany
+49.7082.794.0
Betschdorf, France
+33.3.88.90.64.90
Warsaw, Poland
+48.22.209.98.35
Assago, Italy
+39.02.932.7141
Chat with us:
nvent.com/schroff

Asia

Shanghai, China
+86.21.2412.6943
Qingdao, China
+86.532.8771.6101
Singapore
+65.6768.5800
Shin-Yokohama, Japan
+81.45.476.0271
Chat with us:
nvent.com/schroff

Middle East & India

Dubai, United Arab
Emirates
+971.4.378.1700
Bangalore, India
+91.80.6715.2001
Istanbul, Turkey
+90.216.250.7374
Chat with us:
nvent.com/schroff



Our powerful portfolio of brands:

CADDY ERICO HOFFMAN ILSCO SCHROFF TRACHTE