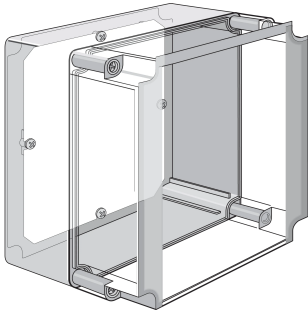


## QLine E Panels



Adjustable-depth Panels for use in QLine E polycarbonate enclosures, provide a convenient way to install controls and instruments in enclosure body opening while providing access and security.

### FEATURES

---

For use with QLine E Polycarbonate Enclosures

Adjustable-depth, plated-steel panel

## SPECIFICATIONS

---

**Material:** Mild Steel

**Finish:** Plated

Table 1/1

Catalog Number	Article Number	Height	Width	Thickness
Q2518PE	14429	250mm	180mm	1.52mm
Q1813PE	14409	180mm	130mm	1.52mm
Q1313PE	14399	130mm	130mm	1.52mm
Q1818PE	14419	180mm	180mm	1.52mm
Q138PE	14389	130mm	80mm	1.52mm

## WARNING

---

nVent products shall be installed and used only as indicated in nVent's product instruction sheets and training materials. Instruction sheets are available at [www.nvent.com](http://www.nvent.com) and from your nVent customer service representative. Improper installation, misuse, misapplication or other failure to completely follow nVent's instructions and warnings may cause product malfunction, property damage, serious bodily injury and death and/or void your warranty.



Our powerful portfolio of brands:

**CADDY ERICO HOFFMAN ILSCO SCHROFF TRACHTE**