

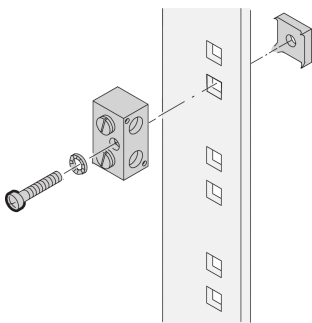
# Grounding/Grounding Clamp

## Data Solutions

### CATALOG NUMBER

---

**20118-030**



These mechanical grounding clamps are designed for use with cable to bar in grounding and bonding systems. The Schroff grounding clamp allows a cross section of 100 mm<sup>2</sup>.

### CERTIFICATIONS

---



### FEATURES

---

Maximum cable cross-section 100 mm<sup>2</sup>

IBM-compatible grounding terminal for connecting a cabinet to the building ground

Surface tin-plated, in accordance with IBM Ref. No. 4716804

### PRODUCT ATTRIBUTES

---

Product Type: Clamp

Finish: Galvanized

Material: Aluminum

Net Weight: 0.073kg

Package Quantity: 1

## WARNING

---

nVent products shall be installed and used only as indicated in nVent's product instruction sheets and training materials. Instruction sheets are available at [www.nvent.com](http://www.nvent.com) and from your nVent customer service representative. Improper installation, misuse, misapplication or other failure to completely follow nVent's instructions and warnings may cause product malfunction, property damage, serious bodily injury and death and/or void your warranty.



Our powerful portfolio of brands:

**CADDY ERICO HOFFMAN ILSCO SCHROFF TRACHTE**