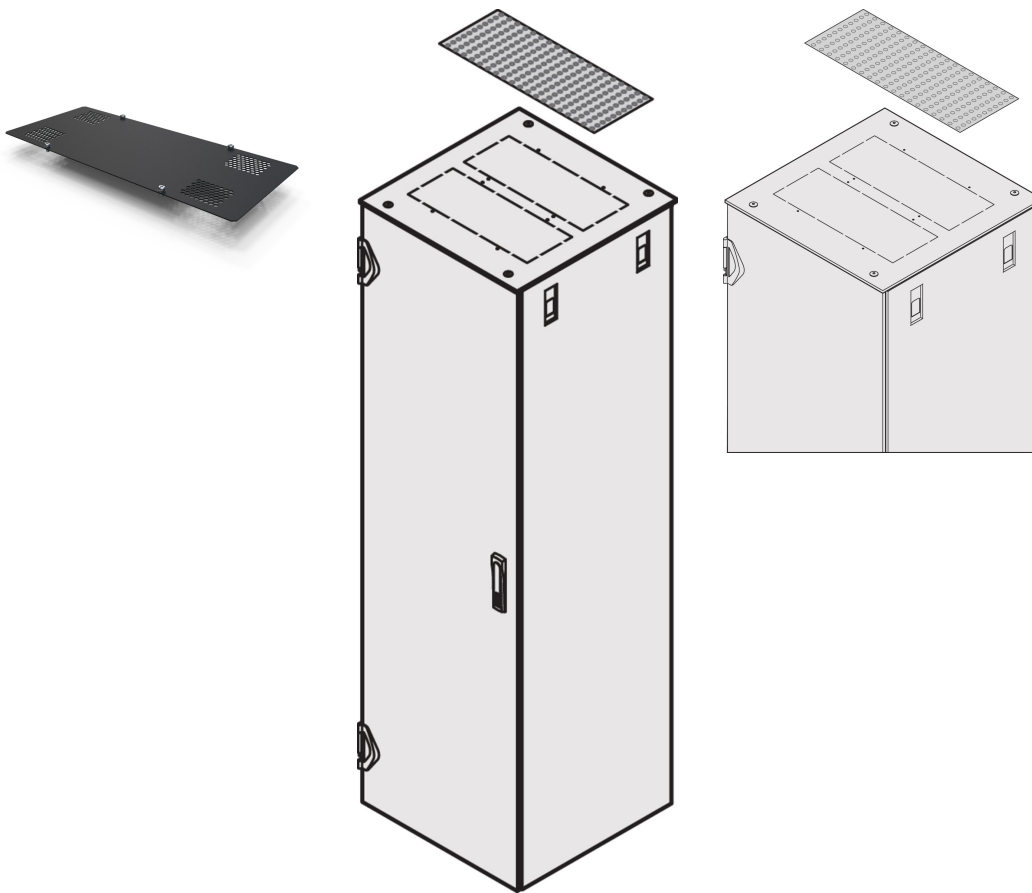


Varistar CP | Vented Plate Kit

CATALOG NUMBER

23130-071



Vented Plate Kit allows heat dissipation through the 6 mm holes.

CERTIFICATIONS



FEATURES

Allows heat dissipation from cabinet (perforated with 6 mm holes)

Suitable for flat top cover (with cut-out zones), screws on

PRODUCT ATTRIBUTES

Product Type: Cover

Product Family: Varistar CP

Type: Top Cover Plate, Perforated

Works With: Varistar CP

Material: Steel

Color: Black Grey

Color Code: RAL 7021

Package Quantity: 1

Finish: Powder Coated

Gross Weight: 0.93kg

WARNING

nVent products shall be installed and used only as indicated in nVent's product instruction sheets and training materials. Instruction sheets are available at www.nvent.com and from your nVent customer service representative. Improper installation, misuse, misapplication or other failure to completely follow nVent's instructions and warnings may cause product malfunction, property damage, serious bodily injury and death and/or void your warranty.

North America

All locations
+1.763.422.2661
Chat with us:
nvent.com/schroff

Europe

Straubenhardt, Germany
+49.7082.794.0
Betschdorf, France
+33.3.88.90.64.90
Warsaw, Poland
+48.22.209.98.35
Assago, Italy
+39.02.932.7141
Chat with us:
nvent.com/schroff

Asia

Shanghai, China
+86.21.2412.6943
Qingdao, China
+86.532.8771.6101
Singapore
+65.6768.5800
Shin-Yokohama, Japan
+81.45.476.0271
Chat with us:
nvent.com/schroff

Middle East & India

Dubai, United Arab
Emirates
+971.4.378.1700
Bangalore, India
+91.80.6715.2001
Istanbul, Turkey
+90.216.250.7374
Chat with us:
nvent.com/schroff



Our powerful portfolio of brands:

CADDY ERICO HOFFMAN ILSCO SCHROFF TRACHTE