

Macrofix Plus NI EZ with Easy Closure 1 1/2" Pipe, DN40, 48.3–50 mm, M10 Rod

CATALOG NUMBER

MPZ050



CERTIFICATIONS



FEATURES

Contains easy closing mechanism

Plastic washers help prevent crushing the CPVC or plastic pipe and assure a floating fit

Flared edges and specially designed welding area help protect CPVC piping

Ideal for installations where space is limited and require services to be ran close to the attachment surface

Suitable for 3/4" - 2" (20 - 50 DN) steel sprinkler pipe

Eliminates the need to seismically brace when drops are kept within 6" (150 mm) of the attachment surface

Combo head bolt works with slotted, hex, or Phillips drivers

Conforms with Manufacturers Standardization Society (MSS) SP-58 (Type 12)

PRODUCT ATTRIBUTES

Article Number: 595057

Material: Steel

Finish: Electrogalvanized

Pipe Size: 1 1/2"

NB/DN: 40

Outer Diameter (OD): 48.3 - 50 mm

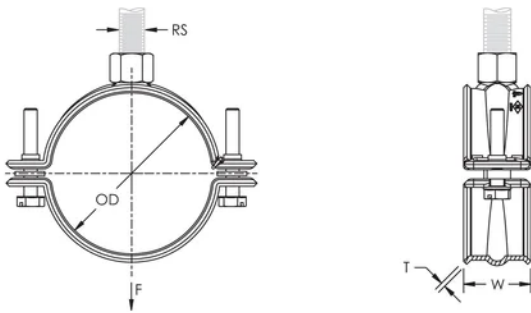
Rod Size (RS): M10

Width (W): 30 mm

Thickness (T): 2 mm

Static Load: 1725N

DIAGRAMS



WARNING

nVent products shall be installed and used only as indicated in nVent's product instruction sheets and training materials. Instruction sheets are available at www.nvent.com and from your nVent customer service representative. Improper installation, misuse, misapplication or other failure to completely follow nVent's instructions and warnings may cause product malfunction, property damage, serious bodily injury and death and/or void your warranty.

North America

+1.800.753.9221

Option 1 – Customer Care

Option 2 – Technical

Support

Europe

Netherlands:

+31 800-0200135

France:

+33 800 901 793

Europe

Germany:

800 1890272

Other Countries:

+31 13 5835404

APAC

Shanghai:

+ 86 21 2412 1618/19

Sydney:

+61 2 9751 8500



Our powerful portfolio of brands:

CADDY

ERICO

HOFFMAN

ILSCO

SCHROFF

TRACHTE

