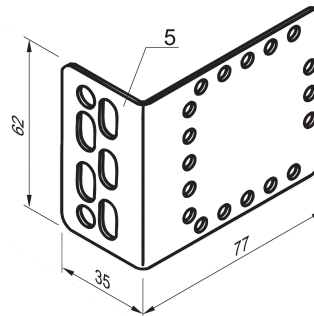


# Busbar With FASTON Connections, 4 Pole, E-Cu tin-Plated

## Data Solutions

### CATALOG NUMBER

20100-017



Schroff busbar is a metallic strip or bar, typically housed inside switchgear, panel boards, and busway enclosures for local high current power distribution.

### CERTIFICATIONS



### FEATURES

Connections FASTON 6.3 x 0.8 mm

Can be sawn off to required length

Vertical current distribution in cabinet

## PRODUCT ATTRIBUTES

---

Material: Copper

Finish: Tin Plated

Number of Poles: 4

Package Quantity: 1

Product Type: Busbar

Net Weight: 1.3kg

## WARNING

---

nVent products shall be installed and used only as indicated in nVent's product instruction sheets and training materials. Instruction sheets are available at [www.nvent.com](http://www.nvent.com) and from your nVent customer service representative. Improper installation, misuse, misapplication or other failure to completely follow nVent's instructions and warnings may cause product malfunction, property damage, serious bodily injury and death and/or void your warranty.



Our powerful portfolio of brands:

**CADDY ERICO HOFFMAN ILSCO SCHROFF TRACHTE**