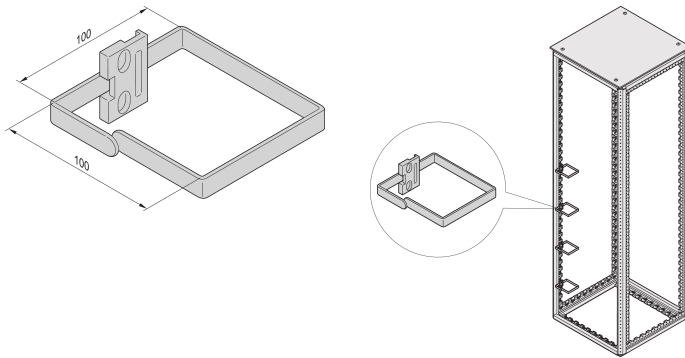


Varistar CP | Cable Eye, Steel, 100W 100D

Data Solutions

CATALOG NUMBER

23130-341



Cable eyes for free standing racks to support vertical structured cable management along the Varistar frame uprights.

CERTIFICATIONS



FEATURES

For assembly on cabinet uprights (800 mm cabinet width) or laterally to the 19" panel/slide mounts

PRODUCT ATTRIBUTES

Product Type: Cable Eye

Product Family: Varistar CP

Material: Steel; Zinc Alloy

Width: 100mm

Depth: 100mm

Finish: Zinc Plated

Package Quantity: 4

WARNING

nVent products shall be installed and used only as indicated in nVent's product instruction sheets and training materials. Instruction sheets are available at www.nvent.com and from your nVent customer service representative. Improper installation, misuse, misapplication or other failure to completely follow nVent's instructions and warnings may cause product malfunction, property damage, serious bodily injury and death and/or void your warranty.



Our powerful portfolio of brands:

CADDY ERICO HOFFMAN ILSCO SCHROFF TRACHTE