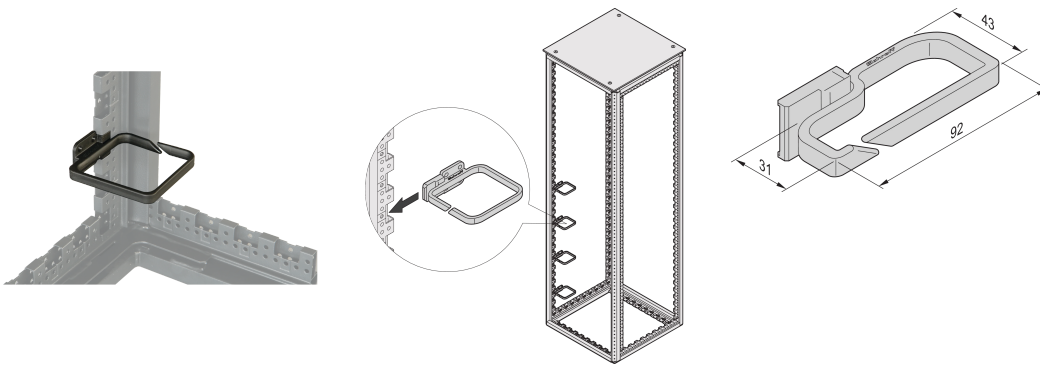


Varistar CP | Cable Eye, Plastic, 90W 40D

Data Solutions

CATALOG NUMBER

23130-506



Cable eyes for free standing racks to support vertical structured cable management along the Varistar frame uprights.

CERTIFICATIONS



FEATURES

For assembly on cabinet uprights (800 mm cabinet width) or laterally to the 19" panel/slide mounts

PRODUCT ATTRIBUTES

Product Type: Cable Eye

Product Family: Varistar CP

Material: Polyamide

Width: 31mm

Depth: 92mm

Length: 92mm

Gross Weight: 0.098kg

Package Quantity: 4

WARNING

nVent products shall be installed and used only as indicated in nVent's product instruction sheets and training materials. Instruction sheets are available at www.nvent.com and from your nVent customer service representative. Improper installation, misuse, misapplication or other failure to completely follow nVent's instructions and warnings may cause product malfunction, property damage, serious bodily injury and death and/or void your warranty.



Our powerful portfolio of brands:

CADDY ERICO HOFFMAN ILSCO SCHROFF TRACHTE