

# PCB Solder Side Cover, CPCI, 6 U, 233.35 mm x 80 mm,

## CATALOG NUMBER

**24579-039**



A solder side cover protects the solder side of a PCB mechanically.

## CERTIFICATIONS



## FEATURES

Cover is perforated for better cooling of components

Mechanical protection of solder side

## PRODUCT ATTRIBUTES

Rack Height: 6U

Package Quantity: 1

Depth (D): 80mm

Material: Plastic

Product Type: Cover

Type: Solder Side Cover

Width (W): 233.35mm

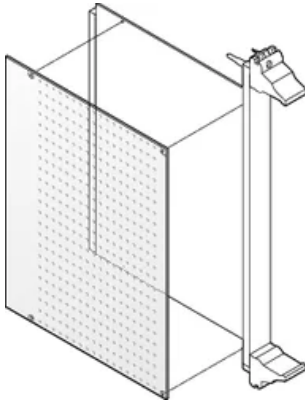
Works With: Front Panels

Net Weight: 0.014kg

## ADDITIONAL PRODUCT DETAILS

Fixing clips are required for mounting the perforated covers; please order separately.

## DIAGRAMS



## WARNING

nVent products shall be installed and used only as indicated in nVent's product instruction sheets and training materials. Instruction sheets are available at [www.nvent.com](http://www.nvent.com) and from your nVent customer service representative. Improper installation, misuse, misapplication or other failure to completely follow nVent's instructions and warnings may cause product malfunction, property damage, serious bodily injury and death and/or void your warranty.

### North America

All locations  
+1.763.422.2661  
Chat with us:  
[nvent.com/schroff](http://nvent.com/schroff)

### Europe

Straubenhardt, Germany  
+49.7082.794.0  
Betschdorf, France  
+33.3.88.90.64.90  
Warsaw, Poland  
+48.22.209.98.35  
Assago, Italy  
+39.02.932.7141  
Chat with us:  
[nvent.com/schroff](http://nvent.com/schroff)

### Asia

Shanghai, China  
+86.21.2412.6943  
Qingdao, China  
+86.532.8771.6101  
Singapore  
+65.6768.5800  
Shin-Yokohama, Japan  
+81.45.476.0271  
Chat with us:  
[nvent.com/schroff](http://nvent.com/schroff)

### Middle East & India

Dubai, United Arab Emirates  
+971.4.378.1700  
Bangalore, India  
+91.80.6715.2001  
Istanbul, Turkey  
+90.216.250.7374  
Chat with us:  
[nvent.com/schroff](http://nvent.com/schroff)



Our powerful portfolio of brands:

**CADDY ERICO HOFFMAN ILSCO SCHROFF TRACHTE**