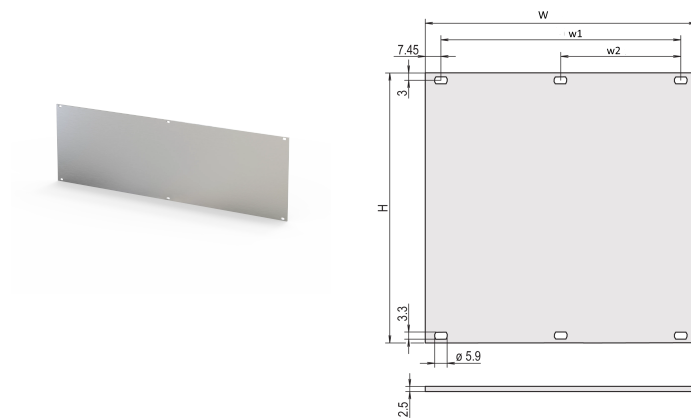


Front Panel, Unshielded, 3 U, 84 HP, 2.5 mm, Al, Front Anodized, Rear Conductive

CATALOG NUMBER

30838-123



Front panel, unshielded, front anodized and rear conductive.

CERTIFICATIONS



FEATURES

Partial width front panel, Al, 2.5 mm

Al, front anodized, conductive

PRODUCT ATTRIBUTES

Rack Height: 3U

Package Quantity: 1

Accessory Type: Front panel

Mounting: Screw-on Front

Front Finish: Anodized

Rear Finish: Conductive

Treated Edges: No

Complies With: IEC 60297-3-101; IEEE 1101.1/10

Depth (D): 2.5mm

EMC Shielding: No

Finish: Anodized; Passivated

Height (H): 128.4mm

Material: Aluminum

Product Type: Front Panel

Type: Front Panel without Handle

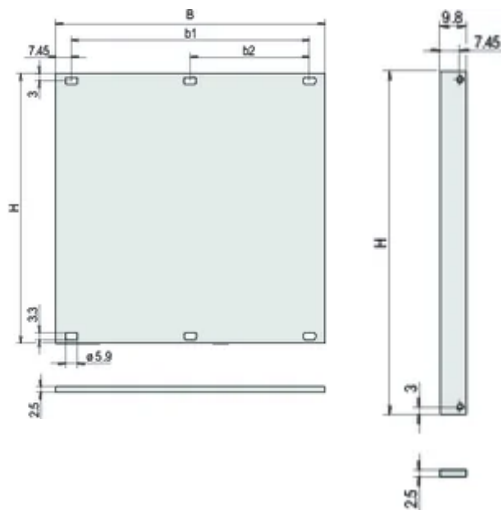
Width (W): 426.4mm

Net Weight: 0.07kg

ADDITIONAL PRODUCT DETAILS

Please order fixing material (sleeves, collar screws) separately.

DIAGRAMS



WARNING

nVent products shall be installed and used only as indicated in nVent's product instruction sheets and training materials. Instruction sheets are available at www.nvent.com and from your nVent customer service representative. Improper installation, misuse, misapplication or other failure to completely follow nVent's instructions and warnings may cause product malfunction, property damage, serious bodily injury and death and/or void your warranty.

North America

All locations

+1.763.422.2661

Chat with us:

nvent.com/schroff

Europe

Straubenhardt, Germany

+49.7082.794.0

Betschdorf, France

+33.3.88.90.64.90

Warsaw, Poland

+48.22.209.98.35

Assago, Italy

+39.02.932.7141

Chat with us:

nvent.com/schroff

Asia

Shanghai, China

+86.21.2412.6943

Qingdao, China

+86.532.8771.6101

Singapore

+65.6768.5800

Shin-Yokohama, Japan

+81.45.476.0271

Chat with us:

nvent.com/schroff

Middle East & India

Dubai, United Arab Emirates

+971.4.378.1700

Bangalore, India

+91.80.6715.2001

Istanbul, Turkey

+90.216.250.7374

Chat with us:

nvent.com/schroff



Our powerful portfolio of brands:

CADDY

ERICO

HOFFMAN

ILSCO

SCHROFF

TRACHTE