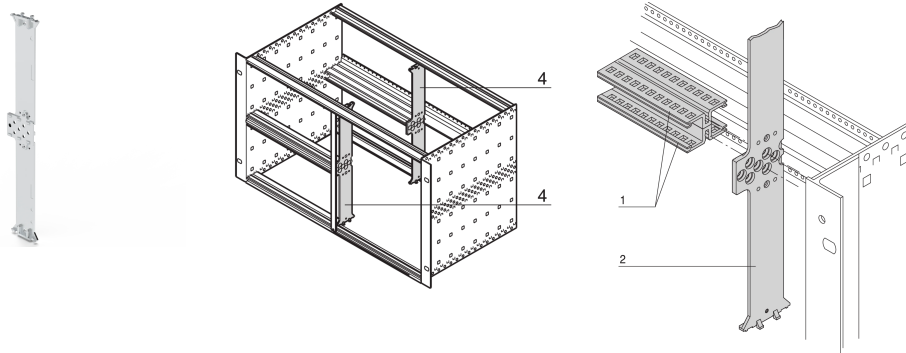


Splitting Extrusion 6 U for Combined Mounting

CATALOG NUMBER

64560-010



The support is bolted into the grid holes of the horizontal rails and allows a split of a 6 U subrack in 2 x 3 U parts.

CERTIFICATIONS



FEATURES

The support is bolted into the grid holes of the horizontal rails. The support can also be screwed on.

The front side has to be covered by a 2HP front panel

PRODUCT ATTRIBUTES

Product Type: Mounting Kit

Product Family: EuropacPRO

Type: Combined

Works With: Subracks

Material: Zinc Alloy

Rack Height: 6U

Package Quantity: 1

Net Weight: 0.11kg

WARNING

nVent products shall be installed and used only as indicated in nVent's product instruction sheets and training materials. Instruction sheets are available at www.nvent.com and from your nVent customer service representative. Improper installation, misuse, misapplication or other failure to completely follow nVent's instructions and warnings may cause product malfunction, property damage, serious bodily injury and death and/or void your warranty.

North America

All locations
+1.763.422.2661
Chat with us:
nvent.com/schroff

Europe

Straubenhardt, Germany
+49.7082.794.0
Betschdorf, France
+33.3.88.90.64.90
Warsaw, Poland
+48.22.209.98.35
Assago, Italy
+39.02.932.7141
Chat with us:
nvent.com/schroff

Asia

Shanghai, China
+86.21.2412.6943
Qingdao, China
+86.532.8771.6101
Singapore
+65.6768.5800
Shin-Yokohama, Japan
+81.45.476.0271
Chat with us:
nvent.com/schroff

Middle East & India

Dubai, United Arab Emirates
+971.4.378.1700
Bangalore, India
+91.80.6715.2001
Istanbul, Turkey
+90.216.250.7374
Chat with us:
nvent.com/schroff



Our powerful portfolio of brands:

CADDY ERICO HOFFMAN ILSCO SCHROFF TRACHTE