

AMC Front Panel With Pull Handle



AdvancedMC Front Panel including EMC gasket for AMC.0 Rev. 2.0 Modules.

CERTIFICATIONS



FEATURES

In accordance with AMC.0 R2.0 specification

Front panel for pull-handle mechanism (with cut-outs for light pipe)

For the use together with the AMC Pull-handle mechanism, AMC.0 R2.0

SPECIFICATIONS

Accessory Type: Front panel

Product Type: Front Panel

Table 1/2

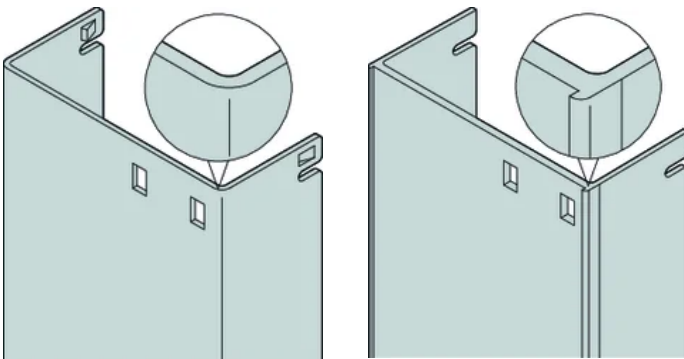
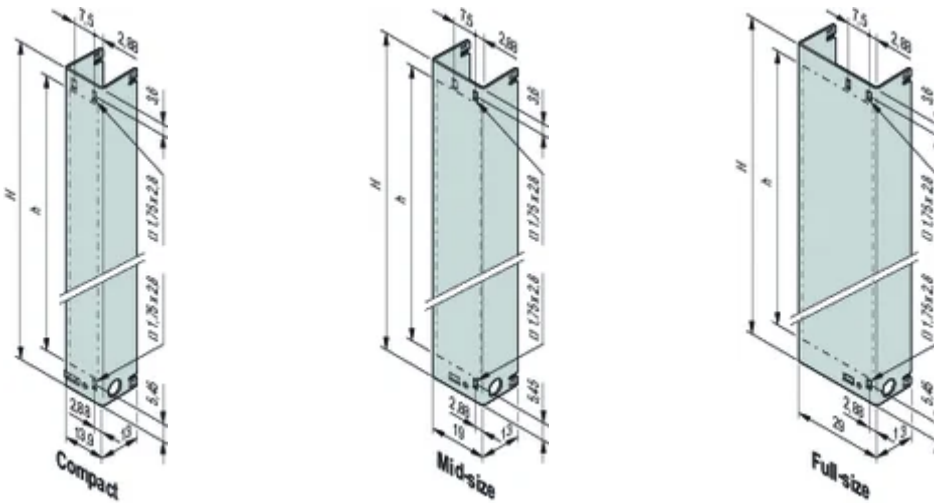
| Catalog Number | Height (H) | Rack Width | Design Feature | Material | Finish | Package Quantity |
|----------------|------------|------------|----------------|-----------------|------------|------------------|
| 30849-658 | 73.8mm | 4HP | Mid-Size | Aluminum | Passivated | 1 |
| 30849-694 | 148.8mm | 6HP | Full-Size | Aluminum | Passivated | 1 |
| 30849-406 | 148.8mm | 4HP | Mid-Size | Stainless Steel | | 1 |
| 30849-402 | 73.8mm | 3HP | Compact | Stainless Steel | | 1 |
| 30849-403 | 73.8mm | 4HP | Mid-Size | Stainless Steel | | 1 |

| Catalog Number | Height (H) | Rack Width | Design Feature | Material | Finish | Package Quantity |
|----------------|------------|------------|----------------|-----------------|------------|------------------|
| 30849-682 | 73.8mm | 6HP | Full-Size | Aluminum | Passivated | 1 |
| 30849-407 | 148.8mm | 6HP | Full-Size | Stainless Steel | | 1 |
| 30849-404 | 73.8mm | 6HP | Full-Size | Stainless Steel | | 1 |
| 30849-670 | 148.8mm | 4HP | | Aluminum | Passivated | 1 |

Table 2/2

| Catalog Number | Front Finish | Rear Finish | Depth (D) | Width (W) |
|----------------|--------------|-------------|-----------|-----------|
| 30849-658 | Raw | Raw | 2.5mm | 19mm |
| 30849-694 | Raw | Raw | 2.5mm | 29mm |
| 30849-406 | Raw | Raw | 1mm | 19mm |
| 30849-402 | Raw | Raw | 1mm | 13.9mm |
| 30849-403 | Raw | Raw | 1mm | 19mm |
| 30849-682 | Raw | Raw | 2.5mm | 29mm |
| 30849-407 | Raw | Raw | 1mm | 29mm |
| 30849-404 | Raw | Raw | 1mm | 29mm |
| 30849-670 | Raw | Raw | 2.5mm | 19mm |

DIAGRAMS



WARNING

nVent products shall be installed and used only as indicated in nVent's product instruction sheets and training materials. Instruction sheets are available at www.nvent.com and from your nVent customer service representative. Improper installation, misuse, misapplication or other failure to completely follow nVent's instructions and warnings may cause product malfunction, property damage, serious bodily injury and death and/or void your warranty.

North America

All locations
+1.763.422.2661
Chat with us:
nvent.com/schroff

Europe

Straubenhardt, Germany
+49.7082.794.0
Betschdorf, France
+33.3.88.90.64.90
Warsaw, Poland
+48.22.209.98.35
Assago, Italy
+39.02.932.7141
Chat with us:
nvent.com/schroff

Asia

Shanghai, China
+86.21.2412.6943
Qingdao, China
+86.532.8771.6101
Singapore
+65.6768.5800
Shin-Yokohama, Japan
+81.45.476.0271
Chat with us:
nvent.com/schroff

Middle East & India

Dubai, United Arab Emirates
+971.4.378.1700
Bangalore, India
+91.80.6715.2001
Istanbul, Turkey
+90.216.250.7374
Chat with us:
nvent.com/schroff



Our powerful portfolio of brands:

CADDY ERICO HOFFMAN ILSCO SCHROFF TRACHTE