

nVent CADDY Macrofix Plus Non-Insulated, 113–123 mm OD, M8, M10 Rod

CATALOG NUMBER

MFZ123



CERTIFICATIONS



FEATURES

Increased opening angle easily accommodates all standard-sized pipes

Quick locking system prevents the hanger from accidentally opening when pipe is moved or adjusted

Quick locking system easily closes with one hand

Thread impression retains quick locking captive screw and prevents it from falling out during installation

Combo head bolt works with slotted, hex, or Phillips drivers

Longer ears position the screw farther from the hanger, improving tool clearance when the screw is tightened

Combination nut can be attached to M8 or M10 threaded rod, simplifying material handling

Screw length has been optimized to accommodate an increased pipe range, reducing inventory

PRODUCT ATTRIBUTES

Article Number: 586814

Material: Steel

Finish: Electrogalvanized

Outer Diameter (OD): 113 - 123 mm

Rod Size (RS): M8;M10

NB/DN: 100

Pipe Size: 4"

Width (W): 23 mm

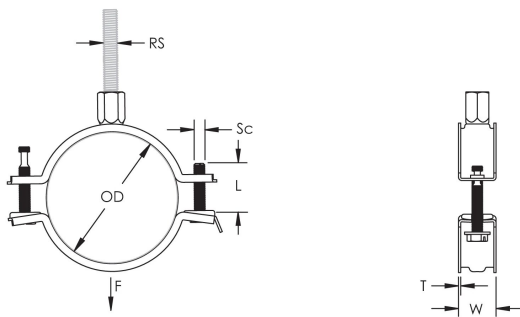
Thickness (T): 1.75 mm

Screw Diameter (Sc): 6

Screw Length (L): 37mm

Static Load: 2500N

DIAGRAMS



WARNING

nVent products shall be installed and used only as indicated in nVent's product instruction sheets and training materials. Instruction sheets are available at www.nvent.com and from your nVent customer service representative. Improper installation, misuse, misapplication or other failure to completely follow nVent's instructions and warnings may cause product malfunction, property damage, serious bodily injury and death and/or void your warranty.

North America

+1.800.753.9221

Option 1 – Customer Care

Option 2 – Technical

Support

Europe

Netherlands:

+31 800-0200135

France:

+33 800 901 793

Europe

Germany:

800 1890272

Other Countries:

+31 13 5835404

APAC

Shanghai:

+ 86 21 2412 1618/19

Sydney:

+61 2 9751 8500



Our powerful portfolio of brands:

CADDY

ERICO

HOFFMAN

ILSCO

SCHROFF

TRACHTE

