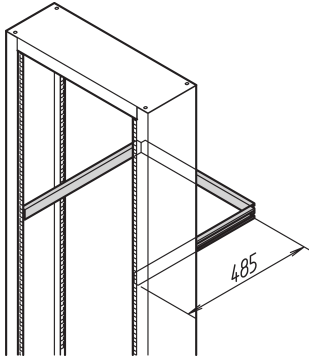


# Labrack Cable Support Rail

## CATALOG NUMBER

**20118-460**



Labrack Cable Support Rail is designed for mobile 19" lab rack; with panel mounts also for stationary 19" lab rack. It allows smart cable management.

## CERTIFICATIONS



## FEATURES

For cable ducting and cable strain relief

Designed for mobile 19" lab rack; with panel mounts also for stationary 19" lab rack

## PRODUCT ATTRIBUTES

Product Type: Support Rail

Product Family: Labrack

Material: Steel

Package Quantity: 1

Finish: Zinc Plated

Gross Weight: 1.283kg

## ADDITIONAL PRODUCT DETAILS

---

Panel mounts are necessary for assembly on stationary 19" lab racks, please order them separately.

## WARNING

---

nVent products shall be installed and used only as indicated in nVent's product instruction sheets and training materials. Instruction sheets are available at [www.nvent.com](http://www.nvent.com) and from your nVent customer service representative. Improper installation, misuse, misapplication or other failure to completely follow nVent's instructions and warnings may cause product malfunction, property damage, serious bodily injury and death and/or void your warranty.

### North America

All locations  
+1.763.422.2661  
Chat with us:  
[nvent.com/schroff](http://nvent.com/schroff)

### Europe

Straubenhardt, Germany  
+49.7082.794.0  
Betschdorf, France  
+33.3.88.90.64.90  
Warsaw, Poland  
+48.22.209.98.35  
Assago, Italy  
+39.02.932.7141  
Chat with us:  
[nvent.com/schroff](http://nvent.com/schroff)

### Asia

Shanghai, China  
+86.21.2412.6943  
Qingdao, China  
+86.532.8771.6101  
Singapore  
+65.6768.5800  
Shin-Yokohama, Japan  
+81.45.476.0271  
Chat with us:  
[nvent.com/schroff](http://nvent.com/schroff)

### Middle East & India

Dubai, United Arab  
Emirates  
+971.4.378.1700  
Bangalore, India  
+91.80.6715.2001  
Istanbul, Turkey  
+90.216.250.7374  
Chat with us:  
[nvent.com/schroff](http://nvent.com/schroff)



Our powerful portfolio of brands:

**CADDY ERICO HOFFMAN ILSCO SCHROFF TRACHTE**