

Cable/Conduit Clip



CERTIFICATIONS



FEATURES

Supports conduit to rod, wire or flange

Can also be used for flexible metallic tubing, armored cable, portable cables, control tubes and communications cable

Available for EMT, rigid, ENT, IMT, MC/AC and aluminum conduit

No installation tools required

SPECIFICATIONS

Finish: nVent CADDY Armour

Material: Spring Steel

Table 1/1

| Catalog Number | Article Number | Outer Diameter (OD) | Static Load 1 (F1) | Static Load 2 (F2) | Static Load 3 (F3) |
|----------------|----------------|---------------------|--------------------|--------------------|--------------------|
| K12 | 170670 | 24 mm Max | 220N | 445N | 70N |
| K16 | 170680 | 30 mm Max | 220N | 445N | 70N |
| K20 | 170690 | 42 mm Max | 220N | 445N | 100N |

ADDITIONAL PRODUCT DETAILS

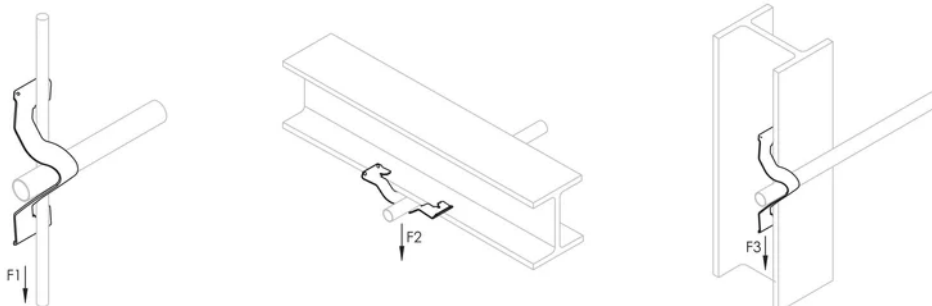
May require dedicated drop wire/rod and EC311. Consult local authority.

For horizontal application only when installing conduit.

| Part Number | Outer Diameter | Rod Size |
|-------------|----------------|----------|
| K12 | 14 mm - 20 mm | M12 |
| K12 | 16 mm - 22 mm | M8; M10 |
| K12 | 18 mm - 24 mm | M4; M6 |
| K16 | 22 mm - 24 mm | M12 |
| K16 | 24 mm - 26 mm | M8; M10 |
| K16 | 26 mm - 30 mm | M4; M6 |
| K20 | 20 mm - 36 mm | M12 |
| K20 | 25 mm - 38 mm | M8; M10 |
| K20 | 30 mm - 42 mm | M4; M6 |

| Part Number | Outer Diameter | Flange Thickness |
|-------------|----------------|------------------|
| K12 | 16 mm - 22 mm | 3 mm - 7 mm |
| K12 | 14 mm - 20 mm | 8 mm - 10 mm |
| K12 | 12 mm - 19 mm | 11 mm - 13 mm |
| K16 | 24 mm - 28 mm | 3 mm - 7 mm |
| K16 | 20 mm - 26 mm | 8 mm - 10 mm |
| K16 | 19 mm - 24 mm | 11 mm - 13 mm |
| K20 | 28 mm - 40 mm | 3 mm - 7 mm |
| K20 | 26 mm - 38 mm | 8 mm - 10 mm |
| K20 | 21 mm - 35 mm | 11 mm - 13 mm |

DIAGRAMS



WARNING

nVent products shall be installed and used only as indicated in nVent's product instruction sheets and training materials. Instruction sheets are available at www.nvent.com and from your nVent customer service representative. Improper installation, misuse, misapplication or other failure to completely follow nVent's instructions and warnings may cause

product malfunction, property damage, serious bodily injury and death and/or void your warranty.

North America

+1.800.753.9221
Option 1 – Customer Care
Option 2 – Technical
Support

Europe

Netherlands:
+31 800-0200135
France:
+33 800 901 793

Europe

Germany:
800 1890272
Other Countries:
+31 13 5835404

APAC

Shanghai:
+ 86 21 2412 1618/19
Sydney:
+61 2 9751 8500



Our powerful portfolio of brands:

CADDY ERICO HOFFMAN ILSCO SCHROFF TRACHTE

