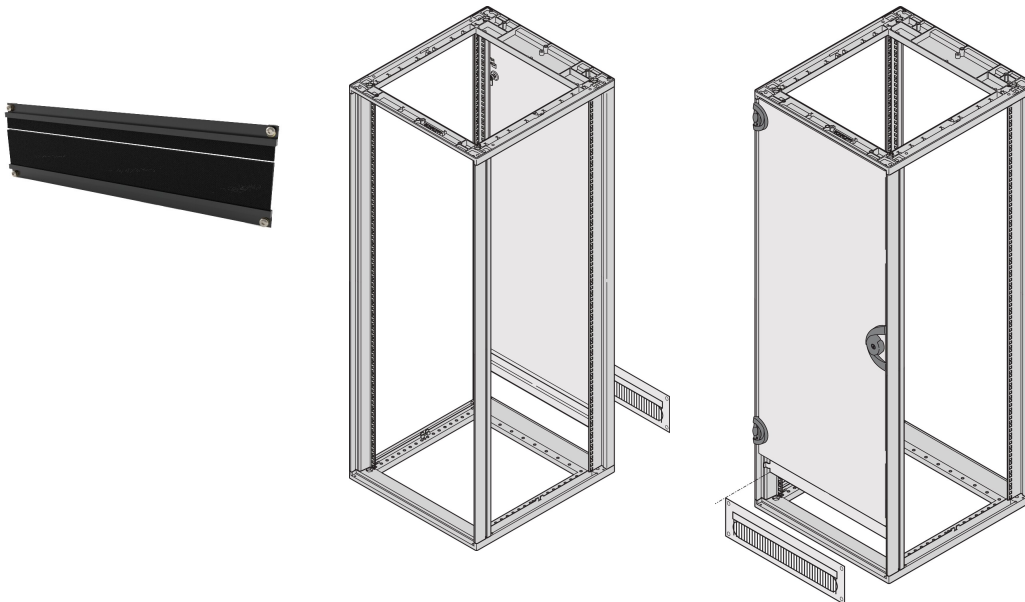


19" Cable Ducting With Brush Strip, 3 U, Black

Data Solutions

CATALOG NUMBER

27230-160



Cover the opening for a more aesthetic look.

CERTIFICATIONS



FEATURES

Mounting height 1 U, 2 U + 1 U or 2 U + 2 U

No threading necessary

With Black brush strips

PRODUCT ATTRIBUTES

Rack Height: 3U

Color: Black Grey

Package Quantity: 2

Finish: Anodized

Height: 134.7mm

Material: Aluminum

Product Type: Brush Strip

Net Weight: 0.345kg

ADDITIONAL PRODUCT DETAILS

Please order 19" assembly kit separately for SKUs 64230-096 & 60118-437.

WARNING

nVent products shall be installed and used only as indicated in nVent's product instruction sheets and training materials. Instruction sheets are available at www.nvent.com and from your nVent customer service representative. Improper installation, misuse, misapplication or other failure to completely follow nVent's instructions and warnings may cause product malfunction, property damage, serious bodily injury and death and/or void your warranty.



Our powerful portfolio of brands:

CADDY ERICO HOFFMAN ILSCO SCHROFF TRACHTE