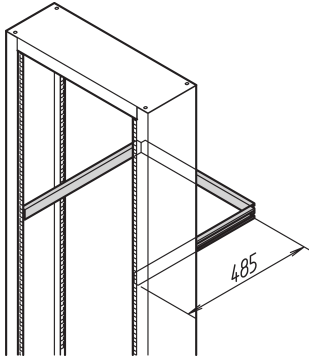


Labrack Cable Support Rail

CATALOG NUMBER

20118-460



Labrack Cable Support Rail is designed for mobile 19" lab rack; with panel mounts also for stationary 19" lab rack. It allows smart cable management.

CERTIFICATIONS



FEATURES

For cable ducting and cable strain relief

Designed for mobile 19" lab rack; with panel mounts also for stationary 19" lab rack

PRODUCT ATTRIBUTES

Product Type: Support Rail

Product Family: Labrack

Material: Steel

Package Quantity: 1

Finish: Zinc Plated

Gross Weight: 1.283kg

ADDITIONAL PRODUCT DETAILS

Panel mounts are necessary for assembly on stationary 19" lab racks, please order them separately.

WARNING

nVent products shall be installed and used only as indicated in nVent's product instruction sheets and training materials. Instruction sheets are available at www.nvent.com and from your nVent customer service representative. Improper installation, misuse, misapplication or other failure to completely follow nVent's instructions and warnings may cause product malfunction, property damage, serious bodily injury and death and/or void your warranty.

North America

All locations
+1.763.422.2661
Chat with us:
nvent.com/schroff

Europe

Straubenhardt, Germany
+49.7082.794.0
Betschdorf, France
+33.3.88.90.64.90
Warsaw, Poland
+48.22.209.98.35
Assago, Italy
+39.02.932.7141
Chat with us:
nvent.com/schroff

Asia

Shanghai, China
+86.21.2412.6943
Qingdao, China
+86.532.8771.6101
Singapore
+65.6768.5800
Shin-Yokohama, Japan
+81.45.476.0271
Chat with us:
nvent.com/schroff

Middle East & India

Dubai, United Arab
Emirates
+971.4.378.1700
Bangalore, India
+91.80.6715.2001
Istanbul, Turkey
+90.216.250.7374
Chat with us:
nvent.com/schroff



Our powerful portfolio of brands:

CADDY ERICO HOFFMAN ILSCO SCHROFF TRACHTE