

Heavy-Duty Pipe Clamp 101-109mm, M10/M12, Electrogalvanized

CATALOG NUMBER

HDN095EG



CERTIFICATIONS

FEATURES

Fillet welded connector nut has flats to accommodate spanners

PRODUCT ATTRIBUTES

Article Number: 579054

Nut Included: Yes

Material: Steel

Finish: Electrogalvanized

Outer Diameter (OD): 101 - 109 mm

Rod Size (RS): M10;M12

Width (W): 30 mm

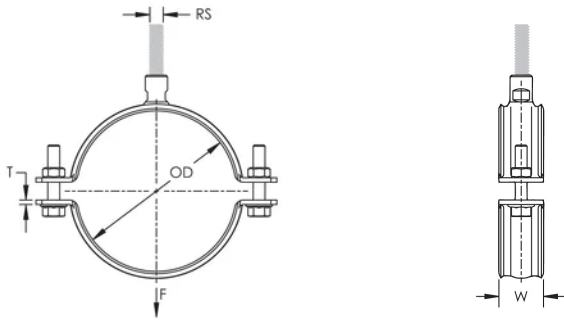
Thickness (T): 3 mm

Screw Diameter (Sc): 8 mm

Screw Diameter metric (Sc): M8

Screw Length (L): 25mm

DIAGRAMS



WARNING

nVent products shall be installed and used only as indicated in nVent's product instruction sheets and training materials. Instruction sheets are available at www.nvent.com and from your nVent customer service representative. Improper installation, misuse, misapplication or other failure to completely follow nVent's instructions and warnings may cause product malfunction, property damage, serious bodily injury and death and/or void your warranty.

North America

+1.800.753.9221
 Option 1 – Customer Care
 Option 2 – Technical Support

Europe

Netherlands:
 +31 800-0200135
 France:
 +33 800 901 793

Europe

Germany:
 800 1890272
 Other Countries:
 +31 13 5835404

APAC

Shanghai:
 + 86 21 2412 1618/19
 Sydney:
 +61 2 9751 8500



Our powerful portfolio of brands:

CADDY ERICO HOFFMAN ILSCO SCHROFF TRACHTE

