

C-EC Cable to Strut Clamp



FEATURES

One-piece cable/conduit clamp with protective boot

No screws or bolts to drop

Requires only a screwdriver or nutdriver for installation

Fits into open side of strut channel

SPECIFICATIONS

Finish: Hot-Dip Galvanized

Material: Steel

Table 1/2

Catalog Number	Article Number	Outer Diameter (OD)	Width (W)	Thickness (T)	Torque (TQ)	A
C20EC	337620	16 - 20 mm	20 mm	1.5 mm	2 N·m	18 mm Min
C12EC	337600	8 - 12 mm	20 mm	1.5 mm	2 N·m	18 mm Min
C28EC	337640	24 - 28 mm	20 mm	1.5 mm	2 N·m	18 mm Min
C16EC	337610	12 - 16 mm	20 mm	1.5 mm	2 N·m	18 mm Min
C24EC	337630	20 - 24 mm	20 mm	1.5 mm	2 N·m	18 mm Min
C36EC	337660	32 - 36 mm	25 mm	1.75 mm	2 N·m	18 mm Min
C32EC	337650	28 - 32 mm	25 mm	1.75 mm	2 N·m	18 mm Min
C40EC	337670	36 - 40 mm	25 mm	1.75 mm	2 N·m	18 mm Min
C48EC	337690	44 - 48 mm	25 mm	2 mm	4 N·m	18 mm Min
C56EC	337710	52 - 56 mm	25 mm	2 mm	4 N·m	18 mm Min

Catalog Number	Article Number	Outer Diameter (OD)	Width (W)	Thickness (T)	Torque (TQ)	A
C44EC	337680	40 - 44 mm	25 mm	2 mm	4 N·m	18 mm Min
C52EC	337700	48 - 52 mm	25 mm	2 mm	4 N·m	18 mm Min
C60EC	337720	56 - 60 mm	30 mm	2.25 mm	4 N·m	18 mm Min
C64EC	337730	60 - 64 mm	30 mm	2.25 mm	4 N·m	18 mm Min

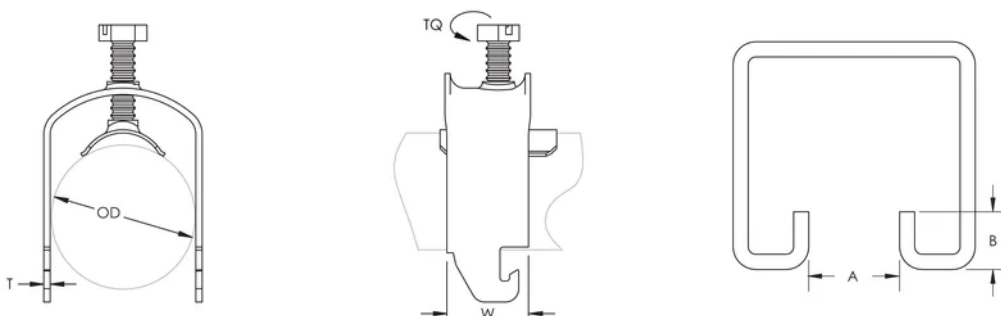
Table 2/2

Catalog Number	Article Number	B
C20EC	337620	10 mm Max
C12EC	337600	10 mm Max
C28EC	337640	10 mm Max
C16EC	337610	10 mm Max
C24EC	337630	10 mm Max
C36EC	337660	10 mm Max
C32EC	337650	10 mm Max
C40EC	337670	10 mm Max
C48EC	337690	10 mm Max
C56EC	337710	10 mm Max
C44EC	337680	10 mm Max
C52EC	337700	10 mm Max
C60EC	337720	10 mm Max
C64EC	337730	10 mm Max

ADDITIONAL PRODUCT DETAILS

Screw is electrogalvanized on clamps that have an outer diameter of 40 mm or less.

DIAGRAMS



WARNING

nVent products shall be installed and used only as indicated in nVent's product instruction sheets and training materials. Instruction sheets are available at www.nvent.com and from your nVent customer service representative. Improper installation, misuse, misapplication or other failure to completely follow nVent's instructions and warnings may cause product malfunction, property damage, serious bodily injury and death and/or void your warranty.

North America

+1.800.753.9221

Option 1 – Customer Care

Option 2 – Technical

Support

Europe

Netherlands:

+31 800-0200135

France:

+33 800 901 793

Europe

Germany:

800 1890272

Other Countries:

+31 13 5835404

APAC

Shanghai:

+ 86 21 2412 1618/19

Sydney:

+61 2 9751 8500



Our powerful portfolio of brands:

CADDY ERICO HOFFMAN ILSCO SCHROFF TRACHTE

