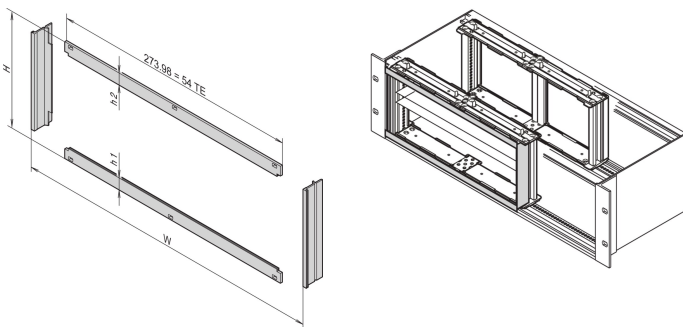


# Front Frame for EMC Shielding for Horizontal Boards Mounting, 3 U, 20 HP

## CATALOG NUMBER

**24564-109**



Front frame installation provides the contact between subracks and assemblies. It must be used if a customer has selected a horizontal board mounting Kit.

## CERTIFICATIONS



## FEATURES

Front frame installation provides the contact between subracks and assemblies

## PRODUCT ATTRIBUTES

Rack Height: 3U

Rack Width: 20HP

Package Quantity: 1

Finish: Anodized; Passivated

Material: Aluminum

Product Family: EuropacPRO

Product Type: Side Panel

Works With: Subracks

Net Weight: 0.1kg

## ADDITIONAL PRODUCT DETAILS

H=128.40 mm, h1=h2= 13.23 mm.

EMC contact strip, stainless steel, see Sub-assemblies/Front panels.

Please order accessories separately.

## WARNING

nVent products shall be installed and used only as indicated in nVent's product instruction sheets and training materials. Instruction sheets are available at [www.nvent.com](http://www.nvent.com) and from your nVent customer service representative. Improper installation, misuse, misapplication or other failure to completely follow nVent's instructions and warnings may cause product malfunction, property damage, serious bodily injury and death and/or void your warranty.

### North America

All locations  
+1.763.422.2661  
Chat with us:  
[nvent.com/schroff](http://nvent.com/schroff)

### Europe

Straubenhardt, Germany  
+49.7082.794.0  
Betschdorf, France  
+33.3.88.90.64.90  
Warsaw, Poland  
+48.22.209.98.35  
Assago, Italy  
+39.02.932.7141  
Chat with us:  
[nvent.com/schroff](http://nvent.com/schroff)

### Asia

Shanghai, China  
+86.21.2412.6943  
Qingdao, China  
+86.532.8771.6101  
Singapore  
+65.6768.5800  
Shin-Yokohama, Japan  
+81.45.476.0271  
Chat with us:  
[nvent.com/schroff](http://nvent.com/schroff)

### Middle East & India

Dubai, United Arab  
Emirates  
+971.4.378.1700  
Bangalore, India  
+91.80.6715.2001  
Istanbul, Turkey  
+90.216.250.7374  
Chat with us:  
[nvent.com/schroff](http://nvent.com/schroff)



Our powerful portfolio of brands:

**CADDY ERICO HOFFMAN ILSCO SCHROFF TRACHTE**