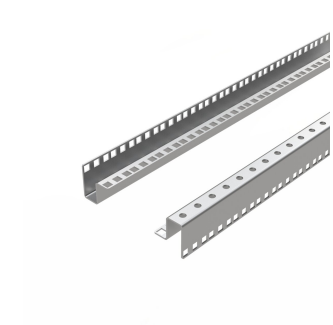


Mounting Angles (19-inch), DNN



19" equipment can be easily fitted in consoles, either in the factory or in the field, when these profiles are used.

FEATURES

Description: To achieve 19" or partial 19" in 800 mm wide enclosures, these profiles can be mounted with the mounting brackets DNB. To achieve 19" in 600 mm wide enclosures, use the brackets DND.

Material: 2 mm zinc plated steel.

Pack quantity: 2 pieces.

SPECIFICATIONS

Thickness: 2mm
Material: Steel
Finish: Zinc Plated

Table 1/1

Catalog Number	Height	Width	Depth	Rack Units	Enclosure Material
DNN11	489mm	45mm	49mm	11U	Mild Steel, Stainless Steel
DNN13	579mm	45mm	49mm	13U	Mild Steel, Stainless Steel
DNN09	400mm	45mm	49mm	9U	Mild Steel, Stainless Steel
DNN10	445mm	45mm	49mm	10U	Mild Steel, Stainless Steel
DNN06	267mm	45mm	49mm	6U	Mild Steel, Stainless Steel
DNN15	667mm	45mm	49mm	15U	Mild Steel, Stainless Steel

WARNING

nVent products shall be installed and used only as indicated in nVent's product instruction sheets and training materials. Instruction sheets are available at www.nvent.com and from your nVent customer service representative. Improper installation, misuse, misapplication or other failure to completely follow nVent's instructions and warnings may cause product malfunction, property damage, serious bodily injury and death and/or void your warranty.



Our powerful portfolio of brands:

CADDY ERICO HOFFMAN ILSCO SCHROFF TRACHTE