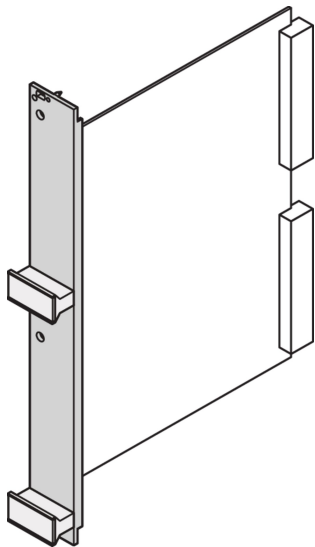


# Plug-In Unit U-Profile Front Panel for Static Trapezoid Handle



U-profile front panel. Enables the assembly of a plastic or Alu-profile static trapezoid handle. The front panel can be shielded with a textile gasket.

## CERTIFICATIONS



## FEATURES

Al extrusion, front anodized, rear conductive, alignment pin pressed-in, stainless steel

Front panel, U-profile, shieldable

## SPECIFICATIONS

<b>Material:</b>	Aluminum
<b>Finish:</b>	Anodized; Passivated
<b>Accessory Type:</b>	Front panel
<b>Product Type:</b>	Front Panel
<b>Type:</b>	Front Panel for Handle (PIU)
<b>EMC Shielding:</b>	No (Retrofittable)

Table 1/3

Catalog Number	Rack Height	Rack Width	Package Quantity	Handle Type	Mounting	Gasket Type
30849-089	3U	6HP	1	Trapezoid, Static, Aluminum Profile	Screw-on Front	Textile EMC
30849-087	3U	4HP	1	Trapezoid, Static, Aluminum Profile	Screw-on Front	Textile EMC
30849-098	6U	4HP	1	Trapezoid, Static, Aluminum Profile	Screw-on Front	Textile EMC
30849-099	6U	5HP	1	Trapezoid, Static, Aluminum Profile	Screw-on Front	Textile EMC
30849-097	6U	3HP	1	Trapezoid, Static, Aluminum Profile	Screw-on Front	Textile EMC
30849-100	6U	6HP	1	Trapezoid, Static, Aluminum Profile	Screw-on Front	Textile EMC
30849-093	3U	12HP	1	Trapezoid, Static, Aluminum Profile	Screw-on Front	Textile EMC
30849-101	6U	7HP	1	Trapezoid, Static, Aluminum Profile	Screw-on Front	Textile EMC
30849-092	3U	10HP	1	Trapezoid, Static, Aluminum Profile	Screw-on Front	Textile EMC
30849-102	6U	8HP	1	Trapezoid, Static, Aluminum Profile	Screw-on Front	Textile EMC
30849-088	3U	5HP	1	Trapezoid, Static, Aluminum Profile	Screw-on Front	Textile EMC

Catalog Number	Rack Height	Rack Width	Package Quantity	Handle Type	Mounting	Gasket Type
30849-091	3U	8HP	1	Trapezoid, Static, Aluminum Profile	Screw-on Front	Textile EMC
30849-103	6U	10HP	1	Trapezoid, Static, Aluminum Profile	Screw-on Front	Textile EMC
30849-090	3U	7HP	1	Trapezoid, Static, Aluminum Profile	Screw-on Front	Textile EMC
30849-104	6U	12HP	1	Trapezoid, Static, Aluminum Profile	Screw-on Front	Textile EMC
30849-086	3U	3HP	1	Trapezoid, Static, Aluminum Profile	Screw-on Front	Textile EMC

Table 2/3

Catalog Number	Front Finish	Rear Finish	Treated Edges	Complies With	Depth	Height
30849-089	Anodized	Conductive	No	IEC 60297-3-101	2.5mm	128.4mm
30849-087	Anodized	Conductive	No	IEC 60297-3-101	2.5mm	128.4mm
30849-098	Anodized	Conductive	No	IEC 60297-3-101	2.5mm	261.8mm
30849-099	Anodized	Conductive	No	IEC 60297-3-101	2.5mm	261.8mm
30849-097	Anodized	Conductive	No	IEC 60297-3-101	2.5mm	261.8mm
30849-100	Anodized	Conductive	No	IEC 60297-3-101	2.5mm	261.8mm
30849-093	Anodized	Conductive	No	IEC 60297-3-101	2.5mm	128.4mm
30849-101	Anodized	Conductive	No	IEC 60297-3-101	2.5mm	261.8mm
30849-092	Anodized	Conductive	No	IEC 60297-3-101	2.5mm	128.4mm

Catalog Number	Front Finish	Rear Finish	Treated Edges	Complies With	Depth	Height
30849-102	Anodized	Conductive	No	IEC 60297-3-101	2.5mm	261.8mm
30849-088	Anodized	Conductive	No	IEC 60297-3-101	2.5mm	128.4mm
30849-091	Anodized	Conductive	No	IEC 60297-3-101	2.5mm	128.4mm
30849-103	Anodized	Conductive	No	IEC 60297-3-101	2.5mm	261.8mm
30849-090	Anodized	Conductive	No	IEC 60297-3-101	2.5mm	128.4mm
30849-104	Anodized	Conductive	No	IEC 60297-3-101	2.5mm	261.8mm
30849-086	Anodized	Conductive	No	IEC 60297-3-101	2.5mm	128.4mm

Table 3/3

Catalog Number	Width
30849-089	30.1mm
30849-087	20mm
30849-098	20mm
30849-099	25mm
30849-097	14.9mm
30849-100	30.1mm
30849-093	60.6mm
30849-101	35.2mm
30849-092	50.5mm
30849-102	40.3mm
30849-088	25mm
30849-091	40.3mm
30849-103	50.5mm
30849-090	35.2mm
30849-104	60.6mm
30849-086	14.9mm

## ADDITIONAL PRODUCT DETAILS

Please order EMC profile seal separately.

Please take into consideration that deliveries may be carried out in the stated SPQs (SPQ, e.g. 5 pieces, 10 pieces, 50 pieces, etc.). Differing order quantities (e.g. 2 pieces) may be changed to the next possible delivery quantity = Standard Pack Quantity.

## WARNING

---

nVent products shall be installed and used only as indicated in nVent's product instruction sheets and training materials. Instruction sheets are available at [www.nvent.com](http://www.nvent.com) and from your nVent customer service representative. Improper installation, misuse, misapplication or other failure to completely follow nVent's instructions and warnings may cause product malfunction, property damage, serious bodily injury and death and/or void your warranty.

### North America

All locations  
+1.763.422.2661  
Chat with us:  
[nvent.com/schroff](http://nvent.com/schroff)

### Europe

Straubenhardt, Germany  
+49.7082.794.0  
Betschdorf, France  
+33.3.88.90.64.90  
Warsaw, Poland  
+48.22.209.98.35  
Assago, Italy  
+39.02.932.7141  
Chat with us:  
[nvent.com/schroff](http://nvent.com/schroff)

### Asia

Shanghai, China  
+86.21.2412.6943  
Qingdao, China  
+86.532.8771.6101  
Singapore  
+65.6768.5800  
Shin-Yokohama, Japan  
+81.45.476.0271  
Chat with us:  
[nvent.com/schroff](http://nvent.com/schroff)

### Middle East & India

Dubai, United Arab Emirates  
+971.4.378.1700  
Bangalore, India  
+91.80.6715.2001  
Istanbul, Turkey  
+90.216.250.7374  
Chat with us:  
[nvent.com/schroff](http://nvent.com/schroff)



Our powerful portfolio of brands:

**CADDY ERICO HOFFMAN ILSCO SCHROFF TRACHTE**