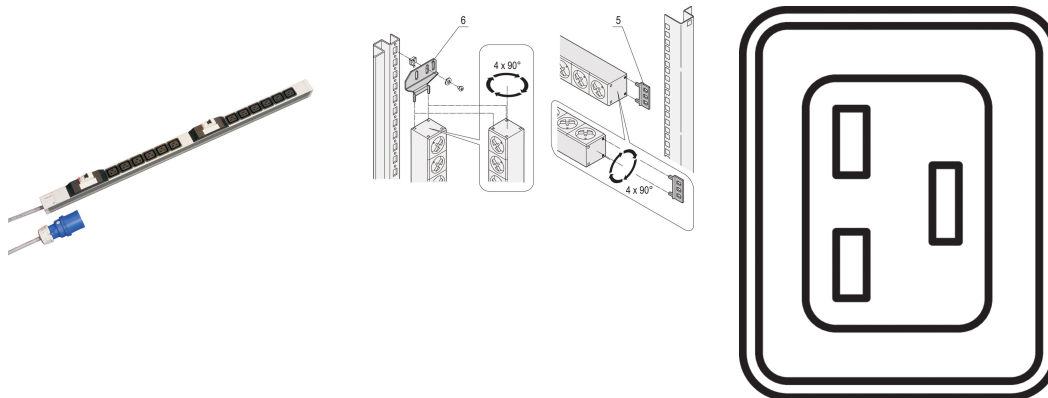


# Socket Strip, IEC C19, 32 A, IEC 60309 Plug, 12x IEC C19, Fuse 2x16 A

## Data Solutions

### CATALOG NUMBER

60110-281



Modular, compact PDU with many function elements. Using a 1 U by 1 U aluminum chassis the PDU can easily be integrated in a rack with IEC C19 outlets.

### CERTIFICATIONS



### FEATURES

Socket strips with C19 IEC sockets

Socket strips can be rotated through all four directions (in 90° increments) during installation

Connecting cable 2 m, with connector in accordance with IEC 60309

Mounting height 1 U

## PRODUCT ATTRIBUTES

---

Socket Type: IEC C19

Socket Quantity: 12

Switched Outlets: No

Voltage AC: 230V

Package Quantity: 1

Color: Grey

Depth: 44mm

Finish: Anodized

Height: 44mm

Length: 947.5mm

Material: Aluminum; Polyamide

Product Type: Socket Strip

Net Weight: 2.59kg

## ADDITIONAL PRODUCT DETAILS

---

Please order bracket for vertical mounting separately.

## WARNING

---

nVent products shall be installed and used only as indicated in nVent's product instruction sheets and training materials. Instruction sheets are available at [www.nvent.com](http://www.nvent.com) and from your nVent customer service representative. Improper installation, misuse, misapplication or other failure to completely follow nVent's instructions and warnings may cause product malfunction, property damage, serious bodily injury and death and/or void your warranty.



Our powerful portfolio of brands:

**CADDY**

**ERICO**

**HOFFMAN**

**ILSCO**

**SCHROFF**

**TRACHTE**