

Cable/Conduit Clip



CERTIFICATIONS



FEATURES

Supports conduit to rod, wire or flange

Can also be used for flexible metallic tubing, armored cable, portable cables, control tubes and communications cable

Available for EMT, rigid, ENT, IMT, MC/AC and aluminum conduit

No installation tools required

SPECIFICATIONS

Finish: nVent CADDY Armour

Material: Spring Steel

Table 1/1

Catalog Number	Article Number	Outer Diameter (OD)	Static Load 1 (F1)	Static Load 2 (F2)	Static Load 3 (F3)
K12	170670	24 mm Max	220N	445N	70N
K16	170680	30 mm Max	220N	445N	70N
K20	170690	42 mm Max	220N	445N	100N

ADDITIONAL PRODUCT DETAILS

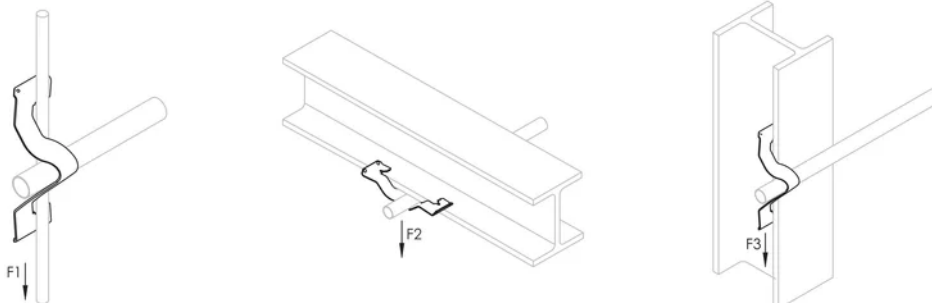
May require dedicated drop wire/rod and EC311. Consult local authority.

For horizontal application only when installing conduit.

Part Number	Outer Diameter	Rod Size
K12	14 mm - 20 mm	M12
K12	16 mm - 22 mm	M8; M10
K12	18 mm - 24 mm	M4; M6
K16	22 mm - 24 mm	M12
K16	24 mm - 26 mm	M8; M10
K16	26 mm - 30 mm	M4; M6
K20	20 mm - 36 mm	M12
K20	25 mm - 38 mm	M8; M10
K20	30 mm - 42 mm	M4; M6

Part Number	Outer Diameter	Flange Thickness
K12	16 mm - 22 mm	3 mm - 7 mm
K12	14 mm - 20 mm	8 mm - 10 mm
K12	12 mm - 19 mm	11 mm - 13 mm
K16	24 mm - 28 mm	3 mm - 7 mm
K16	20 mm - 26 mm	8 mm - 10 mm
K16	19 mm - 24 mm	11 mm - 13 mm
K20	28 mm - 40 mm	3 mm - 7 mm
K20	26 mm - 38 mm	8 mm - 10 mm
K20	21 mm - 35 mm	11 mm - 13 mm

DIAGRAMS



WARNING

nVent products shall be installed and used only as indicated in nVent's product instruction sheets and training materials. Instruction sheets are available at www.nvent.com and from your nVent customer service representative. Improper installation, misuse, misapplication or other failure to completely follow nVent's instructions and warnings may cause

product malfunction, property damage, serious bodily injury and death and/or void your warranty.

North America

+1.800.753.9221

Option 1 – Customer Care

Option 2 – Technical

Support

Europe

Netherlands:

+31 800-0200135

France:

+33 800 901 793

Europe

Germany:

800 1890272

Other Countries:

+31 13 5835404

APAC

Shanghai:

+ 86 21 2412 1618/19

Sydney:

+61 2 9751 8500



Our powerful portfolio of brands:

CADDY ERICO HOFFMAN ILSCO SCHROFF TRACHTE

