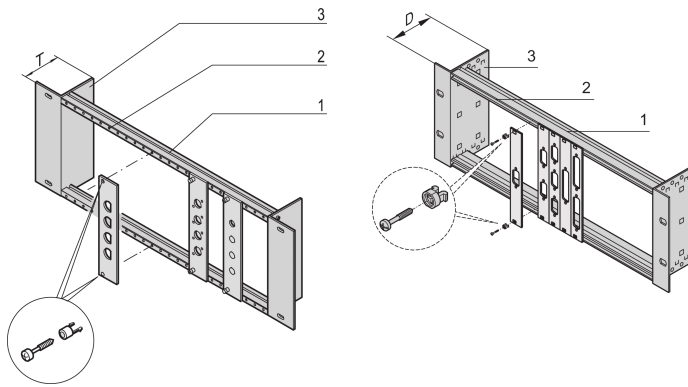


# 19" Module Support Without strain Relief

## Data Solutions

### CATALOG NUMBER

**20118-630**



Module support is needed for assembly of partial width front panels with SUB-D-, ST type 3 or FDDI cut-outs, with or without strain relief rail.

### CERTIFICATIONS



### FEATURES

For assembly of partial width front panels with SUB-D-, ST type 3 or FDDI cut-outs

Optional front panels Al, 2,5 mm, RAL 7035

Available in two versions: with or without strain relief rail

### PRODUCT ATTRIBUTES

Material: Steel

Finish: Aluminum-Zinc Plated

Package Quantity: 1

Product Type: Hardware Kit

Net Weight: 0.53kg

## ADDITIONAL PRODUCT DETAILS

---

Please order front panel with / without cut-outs or quick release fastener separately.

Please order 19" assembly kit separately.

## WARNING

---

nVent products shall be installed and used only as indicated in nVent's product instruction sheets and training materials. Instruction sheets are available at [www.nvent.com](http://www.nvent.com) and from your nVent customer service representative. Improper installation, misuse, misapplication or other failure to completely follow nVent's instructions and warnings may cause product malfunction, property damage, serious bodily injury and death and/or void your warranty.



Our powerful portfolio of brands:

**CADDY ERICO HOFFMAN ILSCO SCHROFF TRACHTE**