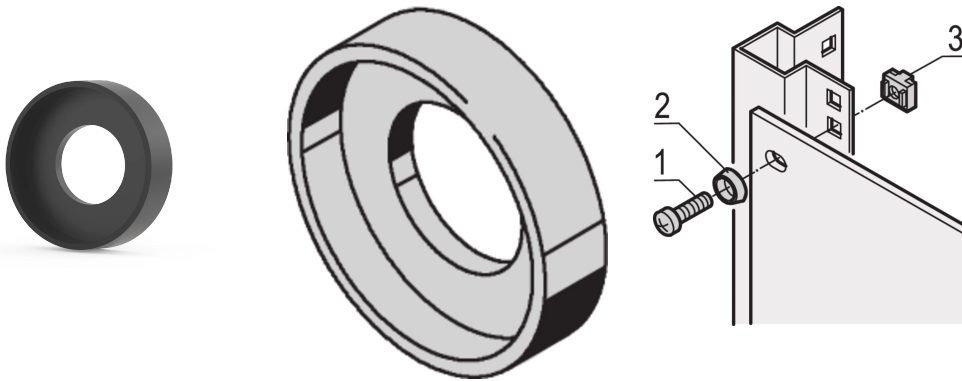


Washer, Plastic, M6, 100 Pieces

Data Solutions

CATALOG NUMBER

21100-016



Washer used for PCB fixing.

CERTIFICATIONS



FEATURES

Washer

PRODUCT ATTRIBUTES

Material: ABS

Package Quantity: 100

Accessory Type: Mounting hardware

Product Family: RatiopacPRO; RatiopacPRO AIR; CompacPRO; PropacPRO; Comptec; Inpac; MultipacPRO

Product Type: Washer

Type: Washer

Works With: Front Panels; Eurorack; Novastar; Varistar; Varistar CP

Net Weight: 0.02kg

ADDITIONAL PRODUCT DETAILS

Quantity required for IEEE-Plug-in units (3U/6U)

Quantity required for plug-in units type 2 with extraction handle (3U/6U)

WARNING

nVent products shall be installed and used only as indicated in nVent's product instruction sheets and training materials. Instruction sheets are available at www.nvent.com and from your nVent customer service representative. Improper installation, misuse, misapplication or other failure to completely follow nVent's instructions and warnings may cause product malfunction, property damage, serious bodily injury and death and/or void your warranty.



Our powerful portfolio of brands:

CADDY ERICO HOFFMAN ILSCO SCHROFF TRACHTE