

HD NI Heavy Duty Pipe Clamp, Fire/Sprinkler, EG, 219–226 mm OD, 8" Pipe, 200 DN, M12, M16 Rod

CATALOG NUMBER

HDN226



CERTIFICATIONS



FEATURES

Fillet welded connector nut has flats to accommodate spanners

PRODUCT ATTRIBUTES

Article Number: 577028

Nut Included: Yes

Material: Steel

Finish: Electrogalvanized

Outer Diameter (OD): 219 - 226 mm

Pipe Size: 8"

NB/DN: 200

Rod Size (RS): M12;M16

Width (W): 40 mm

Thickness (T): 4 mm

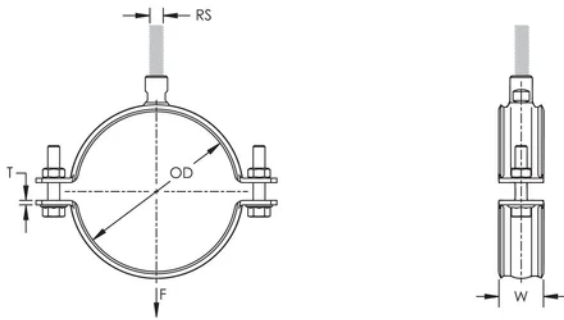
Screw Diameter (Sc): 10 mm

Screw Diameter metric (Sc): M10

Screw Length (L): 40mm

Static Load: 8500N

DIAGRAMS



WARNING

nVent products shall be installed and used only as indicated in nVent's product instruction sheets and training materials. Instruction sheets are available at www.nvent.com and from your nVent customer service representative. Improper installation, misuse, misapplication or other failure to completely follow nVent's instructions and warnings may cause product malfunction, property damage, serious bodily injury and death and/or void your warranty.

North America

+1.800.753.9221

Option 1 – Customer Care

Option 2 – Technical

Support

Europe

Netherlands:

+31 800-0200135

France:

+33 800 901 793

Europe

Germany:

800 1890272

Other Countries:

+31 13 5835404

APAC

Shanghai:

+ 86 21 2412 1618/19

Sydney:

+61 2 9751 8500



Our powerful portfolio of brands:

CADDY

ERICO

HOFFMAN

ILSCO

SCHROFF

TRACHTE

