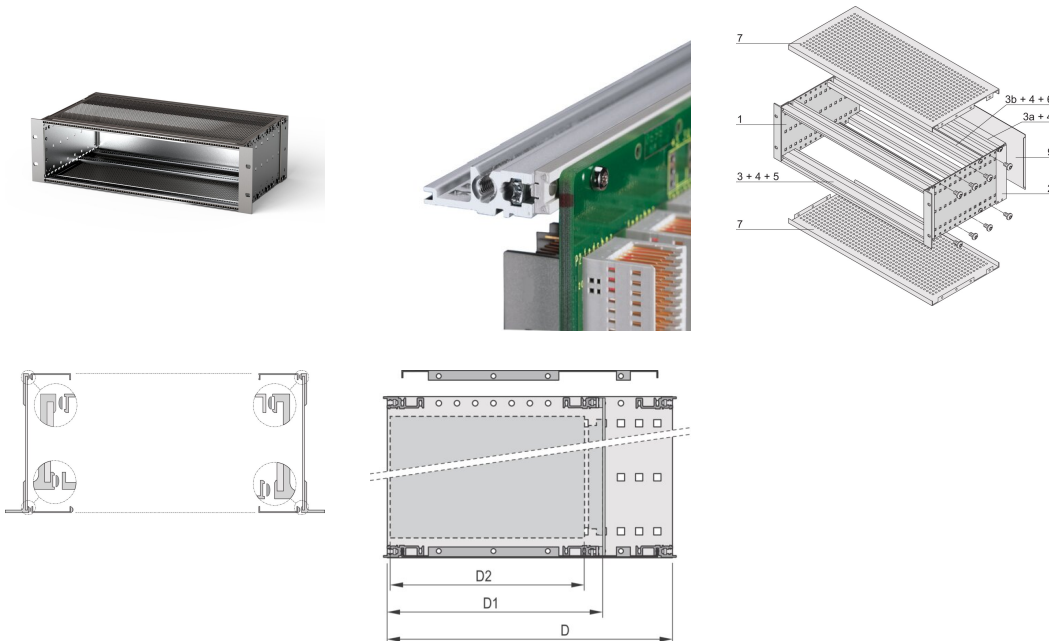


EuropacPRO 19" Subrack Kit for Backplane, Heavy, Shielded, 3 U, 295 mm

CATALOG NUMBER

24563-173



EMC Shielded subrack for backplane mounting, heavy version with tox welded side panels.

CERTIFICATIONS



FEATURES

Subrack with side panel type H ("Heavy"), 19" bracket is firmly fixed to side panel (tox-cold welded)

Modifications such as cutouts, different finishes or dimensions available

Supplied as space-saving flat-pack

Aluminum construction

Horizontal rail type "Heavy"

Rear horizontal rail for backplane mounting with insulation strip

EMC of approximately 40 dB at 1 GHz, 30 dB at 2 GHz, assuming that the front is covered with shielded front panels, testing in accordance with VG 95373 part 15

Internal and external dimensions in accordance with: IEC 60297-3-100, -101, IEEE 1101.1

Shock and vibration tested to the German "Bahn" standards BN 411002, BN 411003

IP 20, in accordance with IEC 60529

PRODUCT ATTRIBUTES

Rack Height: 3U

Depth (D): 295mm

Package Quantity: 1

For Mounting: Backplane

Board Depth: 160mm; 220mm; 280mm

Gasket Type: Textile EMC

Shock and Vibration Tolerance: 5g (force)

Handle Included: No

Mounting: Rack

Complies With: IEC 60297-3-103

EMC Shielding: Yes

Finish: Anodized; Passivated

Material: Aluminum

Product Type: Subrack/Chassis

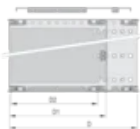
Rack Width: 84HP

Static Load: 15kg

Net Weight: 2.99kg

ADDITIONAL PRODUCT DETAILS

Individual configuration: broad range of variants in height, width and depth; guide rails for a wide variety of applications; interior options; accessories and mounting material.



WARNING

nVent products shall be installed and used only as indicated in nVent's product instruction sheets and training materials. Instruction sheets are available at www.nvent.com and from your nVent customer service representative. Improper installation, misuse, misapplication or other failure to completely follow nVent's instructions and warnings may cause product malfunction, property damage, serious bodily injury and death and/or void your warranty.

North America

All locations
+1.763.422.2661
Chat with us:
nvent.com/schroff

Europe

Straubenhardt, Germany
+49.7082.794.0
Betschdorf, France
+33.3.88.90.64.90
Warsaw, Poland
+48.22.209.98.35
Assago, Italy
+39.02.932.7141
Chat with us:
nvent.com/schroff

Asia

Shanghai, China
+86.21.2412.6943
Qingdao, China
+86.532.8771.6101
Singapore
+65.6768.5800
Shin-Yokohama, Japan
+81.45.476.0271
Chat with us:
nvent.com/schroff

Middle East & India

Dubai, United Arab Emirates
+971.4.378.1700
Bangalore, India
+91.80.6715.2001
Istanbul, Turkey
+90.216.250.7374
Chat with us:
nvent.com/schroff



Our powerful portfolio of brands:

CADDY ERICO HOFFMAN ILSCO SCHROFF TRACHTE