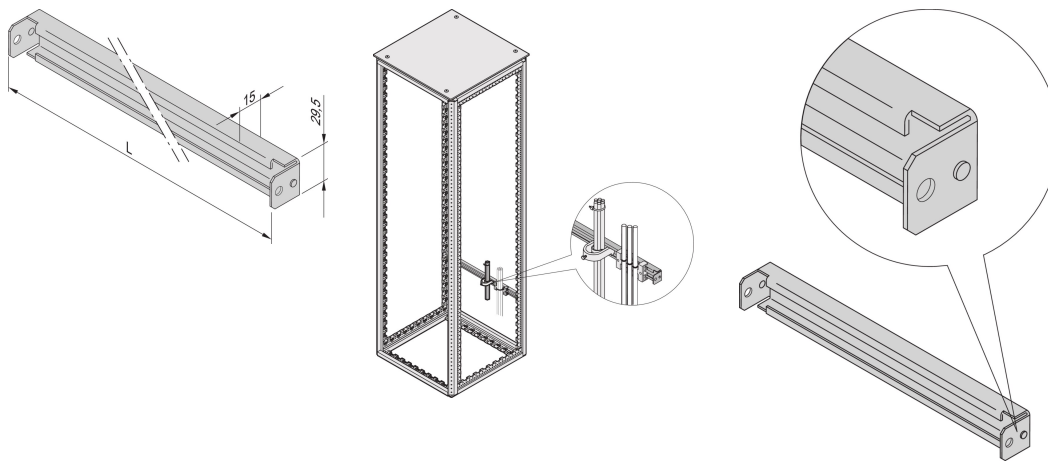


# Varistar CP | C-Rail for Cabinet Width, 600W

## CATALOG NUMBER

**23130-333**



C-Rails are for better cable management. Installation generally behind the 19" uprights. They are compatible with standard cable clabs.

## CERTIFICATIONS



## FEATURES

- For cable shells and cable retention rails
- For cabling in rear or front area of cabinet

## PRODUCT ATTRIBUTES

- Width: 600mm
- Package Quantity: 2
- Finish: Aluminum-Zinc Plated
- Length: 550mm
- Material: Steel

Product Family: Varistar CP

Product Type: C-Rail

Gross Weight: 0.91kg

## ADDITIONAL PRODUCT DETAILS

---

Please order assembly kit separately.

## WARNING

---

nVent products shall be installed and used only as indicated in nVent's product instruction sheets and training materials. Instruction sheets are available at [www.nvent.com](http://www.nvent.com) and from your nVent customer service representative. Improper installation, misuse, misapplication or other failure to completely follow nVent's instructions and warnings may cause product malfunction, property damage, serious bodily injury and death and/or void your warranty.

### North America

All locations  
+1.763.422.2661  
Chat with us:  
[nvent.com/schroff](http://nvent.com/schroff)

### Europe

Straubenhardt, Germany  
+49.7082.794.0  
Betschdorf, France  
+33.3.88.90.64.90  
Warsaw, Poland  
+48.22.209.98.35  
Assago, Italy  
+39.02.932.7141  
Chat with us:  
[nvent.com/schroff](http://nvent.com/schroff)

### Asia

Shanghai, China  
+86.21.2412.6943  
Qingdao, China  
+86.532.8771.6101  
Singapore  
+65.6768.5800  
Shin-Yokohama, Japan  
+81.45.476.0271  
Chat with us:  
[nvent.com/schroff](http://nvent.com/schroff)

### Middle East & India

Dubai, United Arab  
Emirates  
+971.4.378.1700  
Bangalore, India  
+91.80.6715.2001  
Istanbul, Turkey  
+90.216.250.7374  
Chat with us:  
[nvent.com/schroff](http://nvent.com/schroff)



Our powerful portfolio of brands:

**CADDY ERICO HOFFMAN ILSCO SCHROFF TRACHTE**