

# Low Voltage Male/Female Insulators, 30 mm

## Data Solutions

### CATALOG NUMBER

**ISOTP30F8M8**



### CERTIFICATIONS



### FEATURES

Halogen free

High resistance to leakage current

Great stability of electrical and mechanical parameters

Fiberglass reinforced

UL® Recognized in E125470 and evaluated for dielectric withstand rating of 1,500 VAC/DC

RoHS compliant

### PRODUCT ATTRIBUTES

Article Number: 542030

Material: Steel; Glass Fibre Reinforced Polyamide

Finish: Electro galvanized

Working Temperature: -40 to 130°C

Insulation Voltage: 1000; 1500

Flammability Rating: UL® 94V-0

Complies With: IEC® 60695-2-11 (Glow Wire Test 960 °C)

Height (H): 30mm

Hex Width (W): 30mm

Depth (D): 34mm

Diameter (Ø): 26mm

Thread Size 1 (TS1): M8

Thread Length (TL): 17mm

Thread Size 2 (TS2): M8

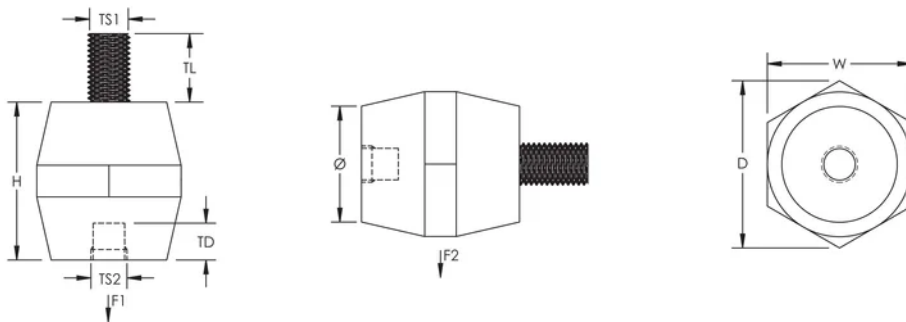
Thread Depth (TD): 8mm

Static Load 1 (F1): 6000daN

Static Load 2 (F2): 3000daN

Unit Weight: 0.05kg

## DIAGRAMS



## WARNING

nVent products shall be installed and used only as indicated in nVent's product instruction sheets and training materials. Instruction sheets are available at [www.nvent.com](http://www.nvent.com) and from your nVent customer service representative. Improper installation, misuse, misapplication or other failure to completely follow nVent's instructions and warnings may cause product malfunction, property damage, serious bodily injury and death and/or void your warranty.



Our powerful portfolio of brands:

**CADDY ERICO HOFFMAN ILSCO SCHROFF TRACHTE**