

# Front Panel, U-profile, Retrofit Shielding



U-profile front panel for textile EMC gasket.

## CERTIFICATIONS



## FEATURES

U-profile, front panel, Al, 2.5 mm, front anodized, rear conductive

For EMC textile gasket

## SPECIFICATIONS

<b>Depth (D):</b>	2.5mm
<b>Material:</b>	Aluminum
<b>Finish:</b>	Anodized; Passivated
<b>Accessory Type:</b>	Front panel
<b>Product Type:</b>	Front Panel
<b>Type:</b>	Front Panel without Handle
<b>EMC Shielding:</b>	No (Retrofittable)

Table 1/3

Catalog Number	Rack Height	Rack Width	Package Quantity	Mounting	Gasket Type	Front Finish
----------------	-------------	------------	------------------	----------	-------------	--------------

30848-385	3U	9HP	1	Screw-on Front	Textile EMC	Anodized
30848-354	3U	4HP	1	Screw-on Front	Textile EMC	Anodized
20848-120	6U	28HP	1	Screw-on Front	Textile EMC	Anodized
30848-387	6U	10HP	1	Screw-on Front	Textile EMC	Anodized
20848-047	3U	42HP	1	Screw-on Front	Textile EMC	Anodized
20848-139	6U	42HP	1	Screw-on Front	Textile EMC	Anodized
20848-650	5U	84HP	1	Screw-on Front	Textile EMC	Anodized
30848-381	6U	6HP	1	Screw-on Front	Textile EMC	Anodized
30848-386	3U	10HP	1	Screw-on Front	Textile EMC	Anodized
20848-160	6U	63HP	1	Screw-on Front	Textile EMC	Anodized
20848-649	5U	63HP	1	Screw-on Front	Textile EMC	Anodized
20848-269	4U	42HP	1	Screw-on Front	Textile EMC	Anodized
30848-380	3U	6HP	1	Screw-on Front	Textile EMC	Anodized
20848-206	2U	28HP	1	Screw-on Front	Textile EMC	Anodized
30848-382	3U	7HP	1	Screw-on Front	Textile EMC	Anodized
20848-270	4U	42HP	1	Screw-on Front	Textile EMC	Anodized
20848-648	5U	42HP	1	Screw-on Front	Textile EMC	Anodized
20848-262	2U	84HP	1	Screw-on Front	Textile EMC	Anodized
20848-027	3U	28HP	1	Screw-on Front	Textile EMC	Anodized
30848-384	3U	9HP	1	Screw-on Front	Textile EMC	Anodized

Table 2/3

Catalog Number	Rack Height	Rack Width	Package Quantity	Mounting	Gasket Type	Front Finish
20848-647	5U	28HP	1	Screw-on Front	Textile EMC	Anodized
20848-268	4U	28HP	1	Screw-on Front	Textile EMC	Anodized
30848-383	6U	7HP	1	Screw-on Front	Textile EMC	Anodized
20848-280	9U	84HP	1	Screw-on Front	Textile EMC	Anodized
30848-357	6U	8HP	1	Screw-on Front	Textile EMC	Anodized
20848-068	3U	63HP	1	Screw-on Front	Textile EMC	Anodized
20848-260	2U	42HP	1	Screw-on Front	Textile EMC	Anodized
20848-013	3U	14HP	1	Screw-on Front	Textile EMC	Anodized
30848-359	6U	12HP	1	Screw-on Front	Textile EMC	Anodized
30849-005	6U	3HP	1	Screw-on Front	Textile EMC	Anodized
20848-189	6U	84HP	1	Screw-on Front	Textile EMC	Anodized
20848-015	3U	16HP	1	Screw-on Front	Textile EMC	Anodized

Catalog Number	Rack Height	Rack Width	Package Quantity	Mounting	Gasket Type	Front Finish
30848-378	3U	5HP	1	Screw-on Front	Textile EMC	Anodized
20848-020	3U	21HP	1	Screw-on Front	Textile EMC	Anodized
30849-004	3U	3HP	1	Screw-on Front	Textile EMC	Anodized
30848-358	3U	12HP	1	Screw-on Front	Textile EMC	Anodized
20848-106	6U	14HP	1	Screw-on Front	Textile EMC	Anodized
30848-379	6U	5HP	1	Screw-on Front	Textile EMC	Anodized
20848-108	6U	16HP	1	Screw-on Front	Textile EMC	Anodized
30849-002	6U	2HP	1	Screw-on Front	Textile EMC	Anodized

Table 3/3

Catalog Number	Rack Height	Rack Width	Package Quantity	Mounting	Gasket Type	Front Finish
30848-356	3U	8HP	1	Screw-on Front	Textile EMC	Anodized
20848-097	3U	84HP	1	Screw-on Front	Textile EMC	Anodized
20848-271	4U	84HP	1	Screw-on Front	Textile EMC	Anodized
30848-355	6U	4HP	1	Screw-on Front	Textile EMC	Anodized
20848-113	6U	21HP	1	Screw-on Front	Textile EMC	Anodized
20848-261	2U	63HP	1	Screw-on Front	Textile EMC	Anodized
30849-001	3U	2HP	1	Screw-on Front	Textile EMC	Anodized

Table 1/3

Catalog Number	Rear Finish	Treated Edges	Complies With	Height (H)	Width (W)	Certifications
30848-385	Conductive	No	IEC 60297-3-101, IEEE 1101.1/10	261.8mm	45.38mm	
30848-354	Conductive	No	IEC 60297-3-101, IEEE 1101.1/10	128.4mm	20mm	RoHS
20848-120	Conductive	No	IEC 60297-3-101, IEEE 1101.1/10	261.8mm	141.9mm	RoHS
30848-387	Conductive	No	IEC 60297-3-101, IEEE 1101.1/10	261.8mm	50.5mm	RoHS
20848-047	Conductive	No	IEC 60297-3-101, IEEE 1101.1/10	128.4mm	213mm	RoHS

Catalog Number	Rear Finish	Treated Edges	Complies With	Height (H)	Width (W)	Certifications
20848-139	Conductive	No	IEC 60297-3-101, IEEE 1101.1/10	261.8mm	213mm	RoHS
20848-650	Conductive	No	IEC 60297-3-101, IEEE 1101.1/10	217.4mm	426.4mm	
30848-381	Conductive	No	IEC 60297-3-101, IEEE 1101.1/10	261.8mm	30.1mm	RoHS
30848-386	Conductive	No	IEC 60297-3-101, IEEE 1101.1/10	128.4mm	50.5mm	RoHS
20848-160	Conductive	No	IEC 60297-3-101, IEEE 1101.1/10	261.8mm	319.7mm	RoHS
20848-649	Conductive	No	IEC 60297-3-101, IEEE 1101.1/10	217.4mm	319.7mm	
20848-269	Conductive	No	IEC 60297-3-101, IEEE 1101.1/10	172.9mm	213mm	RoHS
30848-380	Conductive	No	IEC 60297-3-101, IEEE 1101.1/10	128.4mm	30.1mm	RoHS
20848-206	Conductive	No	IEC 60297-3-101, IEEE 1101.1/10	84mm	141.9mm	
30848-382	Conductive	No	IEC 60297-3-101, IEEE 1101.1/10	128.4mm	35.2mm	RoHS
20848-270	Conductive	No	IEC 60297-3-101, IEEE 1101.1/10	172.9mm	213mm	RoHS
20848-648	Conductive	No	IEC 60297-3-101, IEEE 1101.1/10	217.4mm	213mm	
20848-262	Conductive	No	IEC 60297-3-101, IEEE 1101.1/10	84mm	426.4mm	RoHS
20848-027	Conductive	No	IEC 60297-3-101, IEEE 1101.1/10	128.4mm	141.9mm	RoHS

Catalog Number	Rear Finish	Treated Edges	Complies With	Height (H)	Width (W)	Certifications
30848-384	Conductive	No	IEC 60297-3-101, IEEE 1101.1/10	128.4mm	45.38mm	

Table 2/3

Catalog Number	Rear Finish	Treated Edges	Complies With	Height (H)	Width (W)	Certifications
20848-647	Conductive	No	IEC 60297-3-101, IEEE 1101.1/10	217.4mm	141.9mm	
20848-268	Conductive	No	IEC 60297-3-101, IEEE 1101.1/10	172.9mm	141.9mm	RoHS
30848-383	Conductive	No	IEC 60297-3-101, IEEE 1101.1/10	261.8mm	35.2mm	RoHS
20848-280	Conductive	No	IEC 60297-3-101, IEEE 1101.1/10	395.1mm	426.4mm	RoHS
30848-357	Conductive	No	IEC 60297-3-101, IEEE 1101.1/10	261.8mm	40.3mm	RoHS
20848-068	Conductive	No	IEC 60297-3-101, IEEE 1101.1/10	128.4mm	319.7mm	RoHS
20848-260	Conductive	No	IEC 60297-3-101, IEEE 1101.1/10	84mm	213mm	
20848-013	Conductive	No	IEC 60297-3-101, IEEE 1101.1/10	128.4mm	70.8mm	RoHS
30848-359	Conductive	No	IEC 60297-3-101, IEEE 1101.1/10	261.8mm	60.6mm	RoHS
30849-005	Conductive	No	IEC 60297-3-101, IEEE 1101.1/10	261.8mm	14.9mm	
20848-189	Conductive	No	IEC 60297-3-101, IEEE 1101.1/10	261.8mm	426.4mm	RoHS
20848-015	Conductive	No	IEC 60297-3-101, IEEE 1101.1/10	128.4mm	80.9mm	RoHS

Catalog Number	Rear Finish	Treated Edges	Complies With	Height (H)	Width (W)	Certifications
30848-378	Conductive	No	IEC 60297-3-101, IEEE 1101.1/10	128.4mm	25mm	RoHS
20848-020	Conductive	No	IEC 60297-3-101, IEEE 1101.1/10	128.4mm	106.3mm	RoHS
30849-004	Conductive	No	IEC 60297-3-101, IEEE 1101.1/10	128.4mm	14.9mm	RoHS
30848-358	Conductive	No	IEC 60297-3-101, IEEE 1101.1/10	128.4mm	60.6mm	RoHS
20848-106	Conductive	No	IEC 60297-3-101, IEEE 1101.1/10	261.8mm	70.8mm	RoHS
30848-379	Conductive	No	IEC 60297-3-101, IEEE 1101.1/10	261.8mm	25mm	RoHS
20848-108	Conductive	No	IEC 60297-3-101, IEEE 1101.1/10	261.8mm	80.9mm	RoHS
30849-002	Conductive	No	IEC 60297-3-101, IEEE 1101.1/10	261.8mm	9.8mm	RoHS

Table 3/3

Catalog Number	Rear Finish	Treated Edges	Complies With	Height (H)	Width (W)	Certifications
30848-356	Conductive	No	IEC 60297-3-101, IEEE 1101.1/10	128.4mm	40.3mm	RoHS
20848-097	Conductive	No	IEC 60297-3-101, IEEE 1101.1/10	128.4mm	426.4mm	RoHS
20848-271	Conductive	No	IEC 60297-3-101, IEEE 1101.1/10	172.9mm	426.4mm	RoHS
30848-355	Conductive	No	IEC 60297-3-101, IEEE 1101.1/10	261.8mm	20mm	RoHS
20848-113	Conductive	No	IEC 60297-3-101, IEEE 1101.1/10	261.8mm	106.3mm	RoHS

Catalog Number	Rear Finish	Treated Edges	Complies With	Height (H)	Width (W)	Certifications
20848-261	Conductive	No	IEC 60297-3-101, IEEE 1101.1/10	84mm	319.7mm	
30849-001	Conductive	No	IEC 60297-3-101, IEEE 1101.1/10	128.4mm	9.8mm	RoHS

## ADDITIONAL PRODUCT DETAILS

Please order fixing material (sleeves, collar screws) separately.

14 ... 84 HP: multi-part U-profile (front panel with crimped profiles).

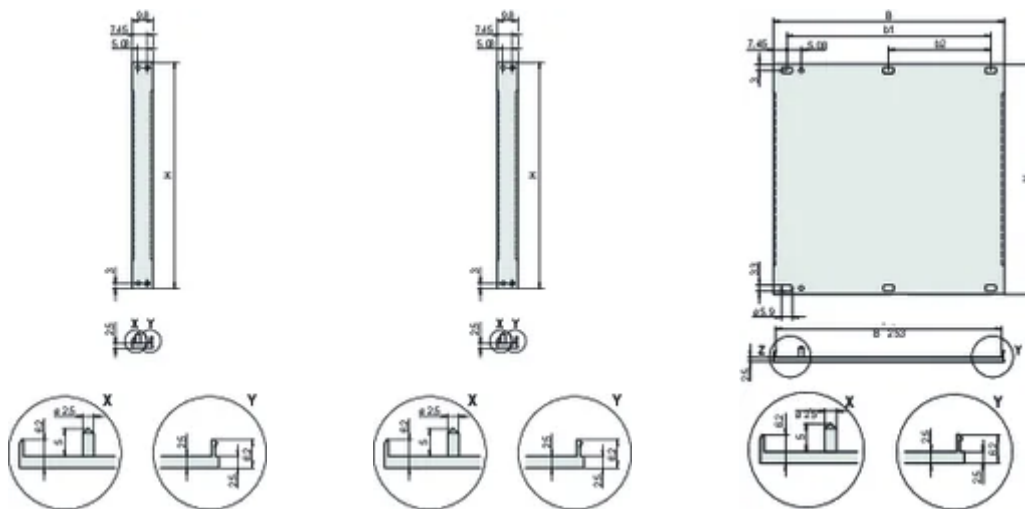
Differences in finish between 2 ... 12 HP and 14 ... 84 HP.

2 ... 12 HP: one-part U-profile

Please order textile EMC gasket separately.

Standard pack quantity: 2 to 28HP: 5 pieces, 42 to 84 HP: 1 piece, supplied in standard pack quantities (SPQ) only.

## DIAGRAMS



## WARNING

nVent products shall be installed and used only as indicated in nVent's product instruction sheets and training materials. Instruction sheets are available at [www.nvent.com](http://www.nvent.com) and from your nVent customer service representative. Improper installation, misuse, misapplication or other failure to completely follow nVent's instructions and warnings may cause product malfunction, property damage, serious bodily injury and death and/or void your warranty.

### North America

All locations

+1.763.422.2661

Chat with us:

[nvent.com/schroff](https://nvent.com/schroff)

### Europe

Straubenhardt, Germany

+49.7082.794.0

Betschdorf, France

+33.3.88.90.64.90

Warsaw, Poland

+48.22.209.98.35

Assago, Italy

+39.02.932.7141

Chat with us:

[nvent.com/schroff](https://nvent.com/schroff)

### Asia

Shanghai, China

+86.21.2412.6943

Qingdao, China

+86.532.8771.6101

Singapore

+65.6768.5800

Shin-Yokohama, Japan

+81.45.476.0271

Chat with us:

[nvent.com/schroff](https://nvent.com/schroff)

### Middle East & India

Dubai, United Arab

Emirates

+971.4.378.1700

Bangalore, India

+91.80.6715.2001

Istanbul, Turkey

+90.216.250.7374

Chat with us:

[nvent.com/schroff](https://nvent.com/schroff)



Our powerful portfolio of brands:

**CADDY**

**ERICO**

**HOFFMAN**

**ILSCO**

**SCHROFF**

**TRACHTE**