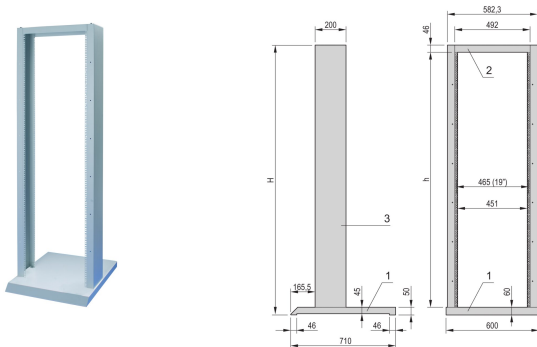


# Labrack 19" Open Rack Stationary Base

## CATALOG NUMBER

**20118-743**



The Labrack open frame 19" cabinet can have a mobile base as an option, generally chosen for test and measurement verticals.

## CERTIFICATIONS



## FEATURES

Is generally chosen for test and measurement verticals

## PRODUCT ATTRIBUTES

Product Type: Rack

Product Family: Labrack

Frame Material: Steel

Width: 600mm

Depth: 710mm

Static Load: 150kg

Complies With: IEC 60297-3-100

Finish: Powder Coated

Gross Weight: 14.5kg

Material: Steel

Package Quantity: 1

## ADDITIONAL PRODUCT DETAILS

---

Please order uprights separately.

The Labrack open frame 19" cabinet can have a stationary base as an option.

## WARNING

---

nVent products shall be installed and used only as indicated in nVent's product instruction sheets and training materials. Instruction sheets are available at [www.nvent.com](http://www.nvent.com) and from your nVent customer service representative. Improper installation, misuse, misapplication or other failure to completely follow nVent's instructions and warnings may cause product malfunction, property damage, serious bodily injury and death and/or void your warranty.

### North America

All locations  
+1.763.422.2661  
Chat with us:  
[nvent.com/schroff](http://nvent.com/schroff)

### Europe

Straubenhardt, Germany  
+49.7082.794.0  
Betschdorf, France  
+33.3.88.90.64.90  
Warsaw, Poland  
+48.22.209.98.35  
Assago, Italy  
+39.02.932.7141  
Chat with us:  
[nvent.com/schroff](http://nvent.com/schroff)

### Asia

Shanghai, China  
+86.21.2412.6943  
Qingdao, China  
+86.532.8771.6101  
Singapore  
+65.6768.5800  
Shin-Yokohama, Japan  
+81.45.476.0271  
Chat with us:  
[nvent.com/schroff](http://nvent.com/schroff)

### Middle East & India

Dubai, United Arab Emirates  
+971.4.378.1700  
Bangalore, India  
+91.80.6715.2001  
Istanbul, Turkey  
+90.216.250.7374  
Chat with us:  
[nvent.com/schroff](http://nvent.com/schroff)



Our powerful portfolio of brands:

**CADDY ERICO HOFFMAN ILSCO SCHROFF TRACHTE**