

# Strut to Strut Connector



## FEATURES

Consists of two half castings, nut and bolt

Allows for bolting two strut channels back to back through the slots

## SPECIFICATIONS

Table 1/2

Catalog Number	Article Number	Material	Finish	A	B	C
STS	315450	Steel	Electrogalvanized	32 mm	25 mm	12.7 mm

Table 2/2

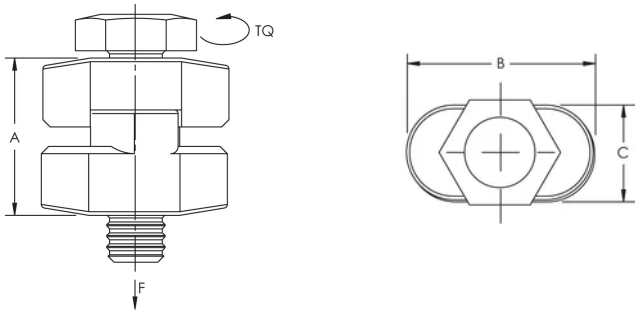
Catalog Number	Article Number	Torque (TQ)	Static Load
STS	315450	7 N·m	4900N

## ADDITIONAL PRODUCT DETAILS

Minimum of 2 required. Maximum spacing 1 foot (300mm).

Minimum half-slot dimensions 9/16" x 7/8" (14.3 mm x 22.2 mm).

## DIAGRAMS



## WARNING

nVent products shall be installed and used only as indicated in nVent's product instruction sheets and training materials. Instruction sheets are available at [www.nvent.com](http://www.nvent.com) and from your nVent customer service representative. Improper installation, misuse, misapplication or other failure to completely follow nVent's instructions and warnings may cause product malfunction, property damage, serious bodily injury and death and/or void your warranty.

### North America

+1.800.753.9221  
Option 1 – Customer Care  
Option 2 – Technical  
Support

### Europe

Netherlands:  
+31 800-0200135  
France:  
+33 800 901 793

### Europe

Germany:  
800 1890272  
Other Countries:  
+31 13 5835404

### APAC

Shanghai:  
+ 86 21 2412 1618/19  
Sydney:  
+61 2 9751 8500



Our powerful portfolio of brands:

**CADDY ERICO HOFFMAN ILSCO SCHROFF TRACHTE**

