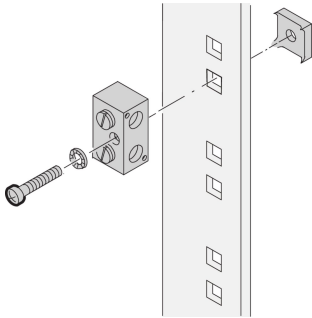


# Grounding/Grounding Clamp

## CATALOG NUMBER

**20118-030**



These mechanical grounding clamps are designed for use with cable to bar in grounding and bonding systems. The Schroff grounding clamp allows a cross section of 100 mm<sup>2</sup>.

## CERTIFICATIONS



## FEATURES

Maximum cable cross-section 100 mm<sup>2</sup>

IBM-compatible grounding terminal for connecting a cabinet to the building ground

Surface tin-plated, in accordance with IBM Ref. No. 4716804

## PRODUCT ATTRIBUTES

Product Type: Clamp

Finish: Galvanized

Material: Aluminum

Net Weight: 0.073kg

Package Quantity: 1

## WARNING

nVent products shall be installed and used only as indicated in nVent's product instruction sheets and training materials. Instruction sheets are available at [www.nvent.com](http://www.nvent.com) and from your nVent customer service representative. Improper

installation, misuse, misapplication or other failure to completely follow nVent's instructions and warnings may cause product malfunction, property damage, serious bodily injury and death and/or void your warranty.

### North America

All locations  
+1.763.422.2661  
Chat with us:  
[nvent.com/schroff](https://nvent.com/schroff)

### Europe

Straubenhardt, Germany  
+49.7082.794.0  
Betschdorf, France  
+33.3.88.90.64.90  
Warsaw, Poland  
+48.22.209.98.35  
Assago, Italy  
+39.02.932.7141  
Chat with us:  
[nvent.com/schroff](https://nvent.com/schroff)

### Asia

Shanghai, China  
+86.21.2412.6943  
Qingdao, China  
+86.532.8771.6101  
Singapore  
+65.6768.5800  
Shin-Yokohama, Japan  
+81.45.476.0271  
Chat with us:  
[nvent.com/schroff](https://nvent.com/schroff)

### Middle East & India

Dubai, United Arab Emirates  
+971.4.378.1700  
Bangalore, India  
+91.80.6715.2001  
Istanbul, Turkey  
+90.216.250.7374  
Chat with us:  
[nvent.com/schroff](https://nvent.com/schroff)



Our powerful portfolio of brands:

**CADDY ERICO HOFFMAN ILSCO SCHROFF TRACHTE**