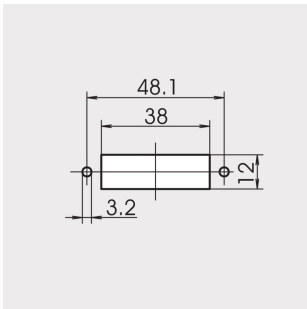


Front Panel With FDDI Cutout, 3 U, 14 HP, 2.5 mm, Al, RAL 7035

CATALOG NUMBER

30118-339



Front Panel, FDDI Cutout.

CERTIFICATIONS



FEATURES

Front panel with 4 FDDI cut-outs

PRODUCT ATTRIBUTES

Product Type: Front Panel

Type: Front Panel without Handle

Accessory Type: Front panel

Mounting: Screw-on Front

Material: Aluminum

Front Finish: Painted

Rear Finish: Conductive

Color Code: RAL 7035

Color: Black Grey

Rack Height: 3U

Height: 128.4mm

Rack Width: 14HP

Width: 70.8mm

Depth: 2.5mm

Package Quantity: 1

Finish: Powder Coated

Gross Weight: 0.05kg

WARNING

nVent products shall be installed and used only as indicated in nVent's product instruction sheets and training materials. Instruction sheets are available at www.nvent.com and from your nVent customer service representative. Improper installation, misuse, misapplication or other failure to completely follow nVent's instructions and warnings may cause product malfunction, property damage, serious bodily injury and death and/or void your warranty.

North America

All locations
+1.763.422.2661
Chat with us:
nvent.com/schroff

Europe

Straubenhardt, Germany
+49.7082.794.0
Betschdorf, France
+33.3.88.90.64.90
Warsaw, Poland
+48.22.209.98.35
Assago, Italy
+39.02.932.7141
Chat with us:
nvent.com/schroff

Asia

Shanghai, China
+86.21.2412.6943
Qingdao, China
+86.532.8771.6101
Singapore
+65.6768.5800
Shin-Yokohama, Japan
+81.45.476.0271
Chat with us:
nvent.com/schroff

Middle East & India

Dubai, United Arab
Emirates
+971.4.378.1700
Bangalore, India
+91.80.6715.2001
Istanbul, Turkey
+90.216.250.7374
Chat with us:
nvent.com/schroff



Our powerful portfolio of brands:

CADDY ERICO HOFFMAN ILSCO SCHROFF TRACHTE