

# FCS Height Adjustable Loop Hanger



## CERTIFICATIONS



## FEATURES

Recommended for the suspension of stationary non-insulated fire sprinkler pipe

Redesigned strap and cup nut minimize friction for easier adjustment up and down the threaded rod (1/2" to 4" sizes)

Formed tips on the upper strap simplify disassembly and reassembly of the hanger

Rolled edges on the strap help to guide the pipe through, limiting binding and damage to metal or plastic pipe

Package includes all necessary hardware for installation

## SPECIFICATIONS

**Finish:** Electrogalvanized

**Material:** Steel

Table 1/2

Catalog Number	Article Number	NB/DN	Outer Diameter (OD)	Rod Size (RS)	Width (W)	A
FCS0100M8	597963	25	34 mm	M8	10 mm	85 mm
FCS0250M10	597974	65	76 mm	M10	10 mm	142 mm
FCS0075M8	597962	20	27 mm	M8	10 mm	74 mm

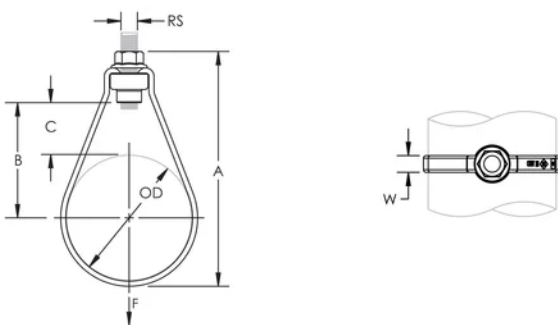
Catalog Number	Article Number	NB/DN	Outer Diameter (OD)	Rod Size (RS)	Width (W)	A
FCS0150M10	597972	40	48 mm	M10	10 mm	99 mm
FCS0300M10	597975	80	89 mm	M10	10 mm	164 mm
FCS0200M8	597966	50	60 mm	M8	10 mm	112 mm
FCS0150M8	597965	40	48 mm	M8	10 mm	97 mm
FCS0125M8	597964	32	43 mm	M8	10 mm	89 mm
FCS0100M10	597969	25	34 mm	M10	10 mm	87 mm
FCS0075M10	597968	20	27 mm	M10	10 mm	76 mm
FCS0125M10	597971	32	43 mm	M10	10 mm	91 mm
FCS0400M10	597976	100	114 mm	M10	10 mm	206 mm
FCS0200M10	597973	50	60 mm	M10	10 mm	114 mm
FCS0600M12	597978	150	165 mm	M12	15 mm	272 mm
FCS0500M12	597977	125	140 mm	M12	15 mm	227 mm
FCS1000M20	597981	250	273 mm	M20	25 mm	480 mm
FCS0800M16	597979	200	219 mm	M16	25 mm	349 mm

Table 2/2

Catalog Number	Article Number	B	C	Static Load	Wrench Size	Certifications
FCS0100M8	597963	36 mm	19 mm	2000N	13 mm	VdS G4050054
FCS0250M10	597974	68 mm	30 mm	3500N	15 mm	FM Approved, Pipe Hanger Components, VdS G4050054
FCS0075M8	597962	31 mm	17 mm	1600N	13 mm	VdS G4050054
FCS0150M10	597972	41 mm	17 mm	2000N	15 mm	VdS G4050054, FM Approved, Pipe Hanger Components
FCS0300M10	597975	83 mm	39 mm	3500N	15 mm	VdS G4050054, FM Approved, Pipe Hanger Components
FCS0200M8	597966	50 mm	20 mm	2000N	13 mm	VdS G4050054
FCS0150M8	597965	41 mm	17 mm	2000N	13 mm	VdS G4050054
FCS0125M8	597964	36 mm	15 mm	2000N	13 mm	VdS G4050054
FCS0100M10	597969	36 mm	19 mm	2000N	15 mm	FM Approved, Pipe Hanger Components, VdS G4050054

Catalog Number	Article Number	B	C	Static Load	Wrench Size	Certifications
FCS0075M10	597968	31 mm	17 mm	2000N	15 mm	FM Approved, Pipe Hanger Components, VdS G4050054
FCS0125M10	597971	36 mm	15 mm	2000N	15 mm	VdS G4050054, FM Approved, Pipe Hanger Components
FCS0400M10	597976	112 mm	55 mm	3500N	15 mm	VdS G4050054, FM Approved, Pipe Hanger Components
FCS0200M10	597973	50 mm	20 mm	2000N	15 mm	FM Approved, Pipe Hanger Components, VdS G4050054
FCS0600M12	597978	146 mm	63 mm	5000N	18 mm	VdS G4050054, FM Approved, Pipe Hanger Components
FCS0500M12	597977	114 mm	44 mm	5000N	18 mm	VdS G4050054, FM Approved, Pipe Hanger Components
FCS1000M20	597981	279 mm	143 mm	10000N	30 mm	VdS G4050054
FCS0800M16	597979	184 mm	75 mm	8500N	24 mm	FM Approved, Pipe Hanger Components, VdS G4050054

## DIAGRAMS



## WARNING

nVent products shall be installed and used only as indicated in nVent's product instruction sheets and training materials. Instruction sheets are available at [www.nvent.com](http://www.nvent.com) and from your nVent customer service representative. Improper

installation, misuse, misapplication or other failure to completely follow nVent's instructions and warnings may cause product malfunction, property damage, serious bodily injury and death and/or void your warranty.

**North America**

+1.800.753.9221  
Option 1 – Customer Care  
Option 2 – Technical  
Support

**Europe**

Netherlands:  
+31 800-0200135  
France:  
+33 800 901 793

**Europe**

Germany:  
800 1890272  
Other Countries:  
+31 13 5835404

**APAC**

Shanghai:  
+ 86 21 2412 1618/19  
Sydney:  
+61 2 9751 8500



Our powerful portfolio of brands:

**CADDY ERICO HOFFMAN ILSCO SCHROFF TRACHTE**

