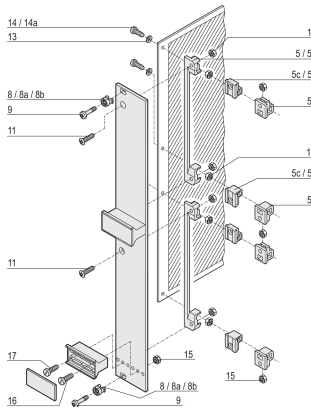
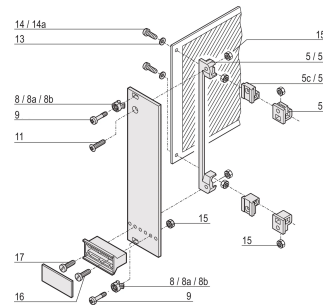
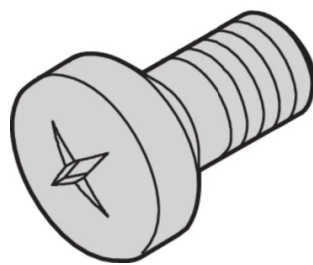


# Panhead Screw, Pozidriv, Cross Recess M2.5 x 8, Steel Nickel Plated, 100 pieces

## Data Solutions

### CATALOG NUMBER

21101-069



Panhead Screw, Pozidrive.

### CERTIFICATIONS



## FEATURES

---

Panhead screw, pozidrive

## PRODUCT ATTRIBUTES

---

Length: 8mm

Finish: Nickel Plated

Package Quantity: 100

Thread Size: M2.5

Material: Steel

Product Family: Frame Type Plug-In Unit

Product Type: Screw

Type: Panhead Screw

Works With: Backplanes; Test Adapters

Net Weight: 0.048kg

## WARNING

---

nVent products shall be installed and used only as indicated in nVent's product instruction sheets and training materials. Instruction sheets are available at [www.nvent.com](http://www.nvent.com) and from your nVent customer service representative. Improper installation, misuse, misapplication or other failure to completely follow nVent's instructions and warnings may cause product malfunction, property damage, serious bodily injury and death and/or void your warranty.



Our powerful portfolio of brands:

**CADDY ERICO HOFFMAN ILSCO SCHROFF TRACHTE**